

Cable gland -60 °C to +70 °C

for Zone 1 and Zone 21



The cable gland made of polyamide is used for inserting permanent cables and leads into electrical equipment with the increased safety “e” type of explosion protection. The cable glands conform to the protection class IP 66/68.

For intrinsically safe circuits the cable entries are available with a blue cap nut. When this cable gland is used, the instructions given in the type examination certificate/operating instructions must be observed.

- Zones 1/21 and 2/22
- IP66/IP68
- Ex “e”

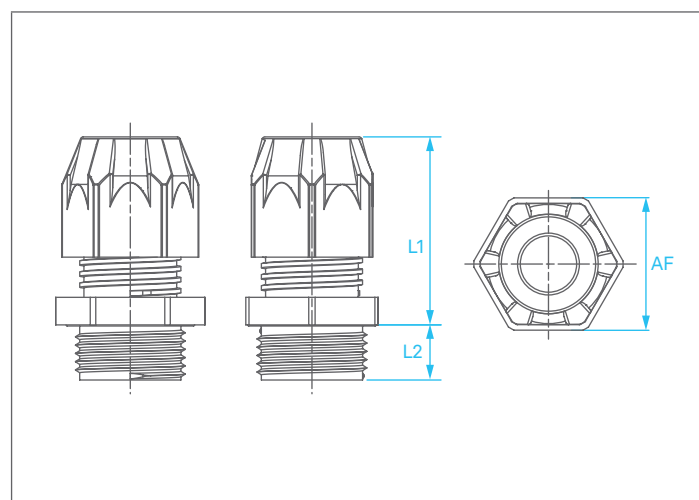
Explosion protection

ATEX	Ⓜ II 2G Ex eb IIC Gb
Ex protection type	Ⓜ II 2D Ex tb IIIC Db
ATEX certificate number	IMQ 13 ATEX 010X
IECEX	Ex eb IIC Gb
Ex protection type	Ex tb IIIC Db IP66/68
IECEX certificate number	IECEX IMQ 13.0003X
Operating temperature	-60 °C ≤ Ta ≤ +70 °C (Silicone)

Technical data

Material	Polyamid, self-extinguishing
Seals	Silicone, -60 °C ≤ Ta ≤ +70 °C CR (Chloroprene), -40 °C ≤ Ta ≤ +70 °C
Colour	RAL 9005, black RAL 5015, blue
Degree of protection	IP 66/IP 68 (EN/IEC 60529) IP 68 - 5 Bar, 30 min

Dimensions



Ordering information Cable gland Ex e, black

Thread size	Cable range (Ø)	Across flat (AF)	Thread length (L2)	Length in mm (L1)	Unit	Order no.
M 16 x 1.5	5-8	19	10	31.6	50	03-6062-0237
M 16 x 1.5	6-10	22	10	35.2	50	03-6062-0238
M 20 x 1.5	7-12	24	10	35.8	50	03-6062-0239
M 20 x 1.5	7-13	25	10	36.4	50	03-6062-0240
M 20 x 1.5	11-14	27	10	35	50	03-6062-0241
M 25 x 1.5	12-17	29	10	40.2	25	03-6062-0242
M 25 x 1.5	14-18	33	10	41.6	25	03-6062-0243
M 32 x 1.5	16-21	36	10	45.3	20	03-6062-0244
M 32 x 1.5	19-25	42	15	46.7	20	03-6062-0245
M 40 x 1.5	20-26	46	10	50.4	10	03-6062-0246
M 40 x 1.5	23-32	53	18	55.9	10	03-6062-0247
M 50 x 1.5	31-38	60	18	58.1	10	03-6062-0248
M 63 x 1.5	35-44	65	18	58.4	10	03-6062-0249

Cable glands Ex e black, with long connection thread on request.

Ordering information Cable gland Ex i, with blue cap nut

Thread size	Cable range (Ø)	Across flat (AF)	Thread length (L2)	Length in mm (L1)	Unit	Order no.
M 16 x 1.5	5-8	19	10	31.6	50	03-6065-0153
M 16 x 1.5	6-10	22	10	35.2	50	03-6065-0154
M 20 x 1.5	7-12	24	10	35.8	50	03-6065-0155
M 20 x 1.5	7-13	25	10	36.4	50	03-6065-0156
M 20 x 1.5	11-14	27	10	35.0	50	03-6065-0157
M 25 x 1.5	12-17	29	10	40.2	25	03-6065-0158
M 25 x 1.5	14-18	33	10	41.6	25	03-6065-0159
M 32 x 1.5	16-21	36	10	45.3	20	03-6065-0160
M 32 x 1.5	19-25	42	15	46.7	20	03-6065-0161
M 40 x 1.5	20-26	46	10	50.4	10	03-6065-0162
M 40 x 1.5	23-32	53	18	55.9	10	03-6065-0163
M 50 x 1.5	31-38	60	18	58.1	10	03-6065-0164
M 63 x 1.5	35-44	65	18	58.4	10	03-6065-0165

Cable glands Ex i blue, with long connection thread on request.