

Customer

Company _____

Street _____

Postcode/City _____

Country _____

Contact person _____

E-mail _____

Phone _____ Fax _____

BARTEC

Sales employee _____

Offer Order

Project name/Application number _____

Customer number _____

Order value _____

Deadline Offer _____

Delivery _____

Quantity

_____ pieces

Enclosure material

- Aluminium, grey
- Polyester, grey, not for DustEx
- Polyester, black
- Stainless steel V2A
- Stainless steel V4A
- with door
- with lid

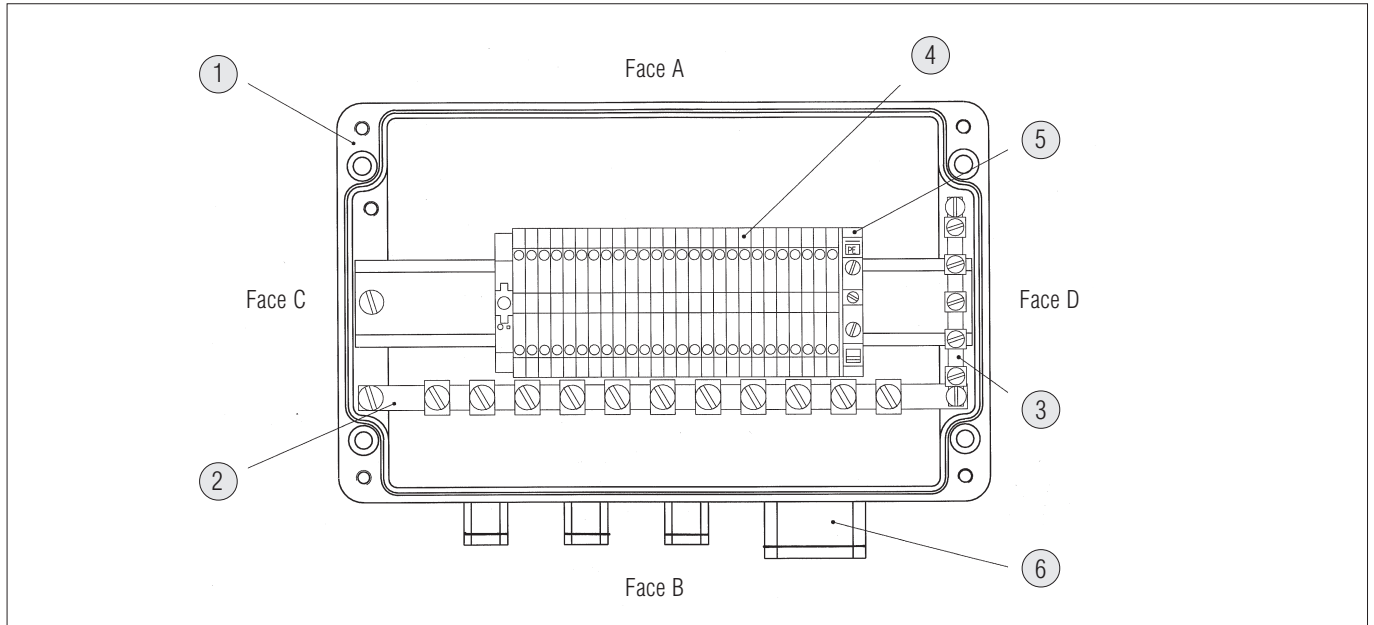
Further requests

Ex protection type

- Ex e DustEx
- Ex i Non Ex
- Ex e/Ex i IP 65/..

Nominal voltage

- AC _____ V
- DC _____ V



1 Enclosure size (mm)

Length Width Height

2 3 Protective earth conductor bars

Horizontal rail

Vertical rail

4 5 Rail mounted terminals, PA/PE-terminals

Type	Cross section	Number

6 Cable glands/stopping plugs (number)

Cable glands	Stopping plugs	Face A	Face B	Face C	Face D
Gland plate (only for SS enclosures)					