

ESI Junction & terminal boxes

Ex e Stainless Steel Junction box for Zone 1/21



BARTEC junction and terminal boxes are designed and approved for Zone 1 and Zone 21. They are particularly suitable for applications under extreme environmental conditions, and they provide reliable protection under heavy loads.

The housings are made of 1.4301 (V2 A) or 1.4404 stainless steel (V4 A). The series includes empty housings and distribution boxes with door or cover. From a housing height of 120 mm, the housings can be supplied with or without flange plates. In addition to 25 standard sizes, approved customer-specific design variants are also available.

- Zones 1/21
- Extremely robust
- Fully bolted or hinged

Explosion protection

ATEX/UKEX Ex protection type	⊕ Ex II 2G Ex eb ia ib IIA, IIB or IIC T6, T5, T4 or T3 Gb ⊕ II 2G Ex tb ia ib IIIA, IIIB oder IIIC, T80°C, T95°C or T130°C Db
ATEX/UKEX certificate number	IBExU 12 ATEX 1099X
IECEX Ex protection type	Ex eb ia ib IIA, IIB, or IIC T6, T5, T4, or T3 Gb Ex tb ia ib IIIA, IIIB, or IIIC, T80 °C, T95 °C, or T130 °C Db
IECEX certificate number	IECEX IBE 12.0031X
Temperature Classes	T6, T5, T4, T3 T80 °C, T95 °C, T130 °C
Ambient temperature	-40 °C to +55 °C
Other certification	CCC: 2020322304001711 INMETRO: UL-BR 11.0118 PESO: A/P/HQ/UP/104/5577 (P470774) ECASEx: 23-06-75816/E23-05-076028/NB000

Other approvals and certificates, see bartec.com

Electrical data

Rated insulation voltage	max. 1000 V *
Nominal current	max. 690 A *
Maximal cross-section	max. 400 mm ² *
Maximum current	please refer to operating instructions

* The rated values are maximum values. The respective built-in components cause the actual electrical values. The manufacturer specified the final rated values, within the limits of the maximum values, and depending on the supply conditions, mode of operation, equipment protection level and so on.

The circuits must be interconnected in accordance with the requirements of the current standard IEC 60079-14. For intrinsically safe circuits, the requirements of IEC 60079-25 also apply.

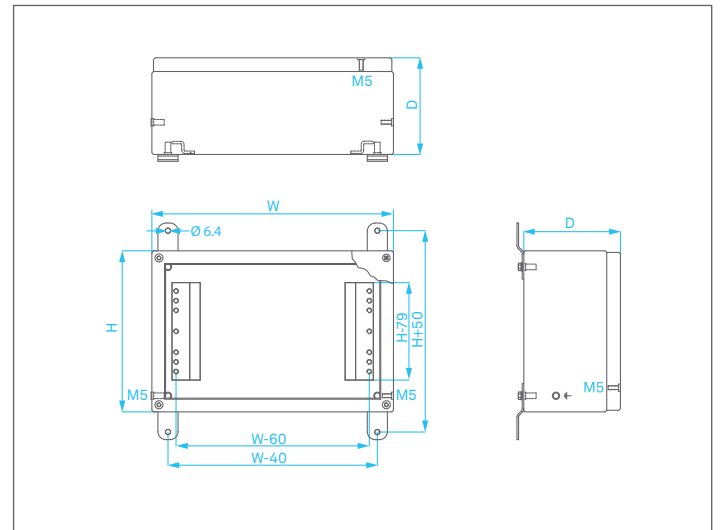
Technical data

Degree of protection	max. IP 66 EN/IEC 60529
Enclosure material	1.4404, AISI 316 L high quality stainless steel optional 1.4301, AISI 304 high quality stainless steel
Mechanical strength	Impact energy 7 Nm
Surface	Standard: brushed, Optional: painted or electro polished
Standard seals	Standard: Silicone (-40 °C to +55 °C) Optional: EPDM (-20 °C to +55 °C)
Version	with or without gland plates

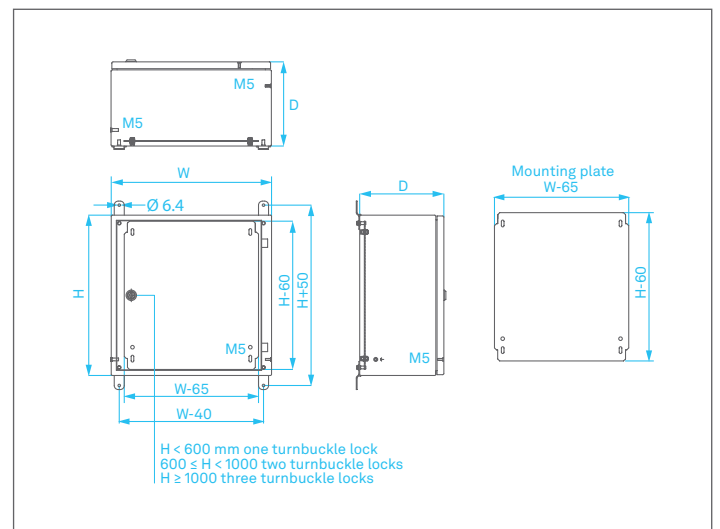
Scope of delivery

The scope of delivery includes wall attachment straps, internal and external PE connection, as well as a mounting plate for the empty housings/distribution cabinets.

Enclosure with cover dimensions



Enclosure with hinged door dimensions

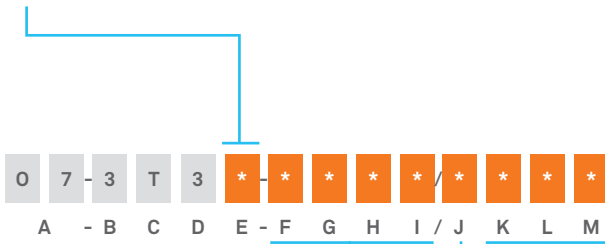


Configuration data for control stations

Enclosure type / material

E	Type	Enclosure type	Ex protection	Material	Max. operating temperature
0	Empty enclosure with flange and cover	ESI, 07-56A1	Ex e	Stainless steel 304 - V2 A	
1		ESI, 07-56A1	Ex i		
2	Empty enclosure with flange and cover	ESI, 07-56B1	Ex e	Stainless steel 316L - V4 A	Silicone: -40 °C to +100 °C
3		ESI, 07-56B1	Ex i		
4	Empty enclosure with flange and hinged doo	ESI, 07-56C1	Ex e	Stainless steel 304 - V2 A	EPDM: -20 °C to +100 °C
5		ESI, 07-56C1	Ex i		
6	Empty enclosure with flange and hinged door	ESI, 07-56D1	Ex e	Stainless steel 316L - V4 A	RAKU PUR: -40 °C to +80 °C
7		ESI, 07-56D1	Ex i		

** more Enclosures available on request



Character	Character for:	Variant:	Description
FGHI	Enclosure size code		Size code defined during engineerin
J	Country identification	A, B, C, ...	Production location identification code
KLM	Sequence number starting with 001		

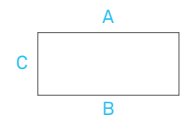
The table on this page applies to the junction and terminal boxes.

Stainless steel junction and terminal boxes rail-mounted terminal components/maximum number

High-quality stainless steel junction boxes without flanges Article no.	External dimensions in mm (W x H x D)	AKZ4 03-7112-0008		WDU 2.5 03-7111-0012		WDU 4 03-7112-0015	
		Mounting rail	Mounting rail	Mounting rail	Mounting rail	Mounting rail	Mounting rail
Version with cover							
07-3T3*-1006/****	100 x 100 x 60	1	7	-	-	-	-
07-3T3*-1508/****	150 x 150 x 80	2	13	1	16	1	13
07-3T3*-4008/****	400 x 150 x 80	2	54	1	65	1	54
07-3T3*-2008/****	200 x 200 x 80	2	21	1	25	1	21
07-3T3*-3108/****	300 x 200 x 80	2	37	1	45	1	38
07-3T3*-1510/****	150 x 150 x 100	2	13	1	16	1	13
07-3T3*-2012/****	200 x 200 x 120	-	-	1	25	1	21
07-3T3*-3112/****	300 x 200 x 120	-	-	1	45	1	38
07-3T3*-4013/****	400 x 200 x 120	-	-	1	65	1	54
07-3T3*-6112/****	600 x 200 x 120	-	-	1	104	1	87
07-3T3*-3012/****	300 x 300 x 120	-	-	2	45	2	38
07-3T3*-3016/****	300 x 300 x 160	-	-	2	45	2	38
07-3T3*-3816/****	380 x 380 x 160	-	-	3	61	3	51
07-3T3*-4015/****	400 x 200 x 160	-	-	1	65	1	54
07-3T3*-4216/****	400 x 400 x 160	-	-	4	65	4	54
07-3T3*-5016/****	500 x 400 x 160	-	-	4	84	4	70
Version with hinged door							
07-3T3*-2015/****	200 x 300 x 155	-	-	2	21	2	18
07-3T3*-3815/****	380 x 300 x 155	-	-	2	60	2	50
07-3T3*-3021/****	300 x 380 x 210	-	-	3	45	3	37
07-3T3*-4021/****	400 x 400 x 210	-	-	3	64	3	54
07-3T3*-4121/****	400 x 600 x 210	-	-	5	64	5	54
07-3T3*-6021/****	600 x 600 x 210	-	-	5	103	5	86
07-3T3*-6121/****	600 x 760 x 210	-	-	6	103	6	86
07-3T3*-6033/****	600 x 800 x 300	-	-	7	103	7	86
07-3T3*-8030/****	800 x 800 x 300	-	-	7	142	7	118
07-3T3*-8130/****	800 x 1000 x 300	-	-	9	142	9	118

REMARK:
Due to the development of the national and international specifications and of the technology, the above technical characteristics showed on this bulletin can be considered as binding on our confirmation only.

The table on this page applies to the junction and terminal boxes.



Stainless steel junction boxes without flanges Rail-mounted terminal components/maximum number

Article no.	External dimensions in mm (L x W x H)	Side	M12 x 1.5	M16 x 1.5	M20 x 1.5	M25 x 1.5	M32 x 1.5	M40 x 1.5	M50 x 1.5	M63 x 1.5
Version with cover										
07-3T3*-1006/****	100 x 100 x 60	A/B C/D	3 3	2 2	1 1	1 -	- -	- -	- -	- -
07-3T3*-1508/****	150 x 150 x 80	A/B C/D	14 16	5 7	4 5	2 2	1 2	- -	- -	- -
07-3T3*-4008/****	400 x 150 x 80	A/B C/D	45 14	24 7	18 6	7 2	6 2	- -	- -	- -
07-3T3*-2008/****	200 x 200 x 80	A/B C/D	20 23	10 11	6 8	3 3	2 2	- -	- -	- -
07-3T3*-3108/****	300 x 200 x 80	A/B C/D	31 22	17 11	12 7	6 4	4 2	- -	- -	- -
07-3T3*-1510/****	150 x 150 x 100	A/B C/D	18 21	11 12	7 7	3 3	2 2	1 1	1 1	1 1
07-3T3*-2012/****	200 x 200 x 120	A/B C/D	37 30	20 20	15 13	7 7	4 4	2 2	2 2	2 2
07-3T3*-3112/****	300 x 200 x 120	A/B C/D	59 35	32 19	21 13	11 7	7 5	4 2	3 2	3 2
07-3T3*-4013/****	400 x 200 x 120	A/B C/D	64 35	34 20	28 13	15 7	9 4	6 2	5 2	4 2
07-3T3*-6112/****	600 x 200 x 120	A/B C/D	82 30	78 20	47 13	23 7	15 5	9 2	7 2	6 2
07-3T3*-3012/****	300 x 300 x 120	A/B C/D	60 50	35 29	22 21	11 11	7 7	4 4	3 3	3 3
07-3T3*-3016/****	300 x 300 x 160	A/B C/D	75 68	46 47	30 31	16 17	10 9	7 7	5 5	4 4
07-3T3*-3816/****	380 x 380 x 160	A/B C/D	96 93	60 59	40 39	21 23	11 12	9 9	6 6	5 5
07-3T3*-4015/****	400 x 200 x 160	A/B C/D	97 40	61 30	40 17	23 11	13 6	9 4	7 3	5 2
07-3T3*-4216/****	400 x 400 x 160	A/B C/D	105 104	61 63	41 43	21 21	13 12	9 9	7 7	5 5
07-3T3*-5016/****	500 x 400 x 160	A/B C/D	126 104	79 63	64 43	28 21	16 12	12 9	9 7	7 5
Version with hinged door										
07-3T3*-2015/****	200 x 300 x 155	A/B C/D	48 74	28 46	18 32	10 17	6 9	4 7	3 4	2 3
07-3T3*-3815/****	380 x 300 x 155	A/B C/D	91 74	51 46	39 32	21 17	12 9	9 7	6 4	5 3
07-3T3*-3021/****	300 x 380 x 210	A/B C/D	104 107	60 69	40 50	23 23	17 15	8 9	6 8	6 7
07-3T3*-4021/****	400 x 400 x 210	A/B C/D	136 115	84 72	55 51	31 23	21 18	10 10	10 9	8 7
07-3T3*-4121/****	400 x 600 x 210	A/B C/D	144 183	84 116	55 65	31 35	21 29	10 15	10 14	8 12
07-3T3*-6021/****	600 x 600 x 210	A/B C/D	208 194	120 120	85 70	42 35	30 29	16 15	14 14	13 11
07-3T3*-6121/****	600 x 760 x 210	A/B C/D	170 228	120 148	80 100	51 47	30 37	16 19	14 17	12 16
07-3T3*-6033/****	600 x 800 x 300	A/B C/D	324 411	189 252	119 147	72 78	40 51	28 32	21 27	19 26
07-3T3*-8030/****	800 x 800 x 300	A/B C/D	452 403	234 231	147 159	94 83	52 51	30 32	29 29	27 26
07-3T3*-8130/****	800 x 1000 x 300	A/B C/D	452 554	234 300	147 194	94 102	52 67	30 42	29 35	27 32