

ComEx Ex i illuminated indicator module

for panel- and railmounted installation



The ComEx Ex i illuminated indicator module visualizes different system states by lighting up or going out a illuminated indicator. It is suitable for use in almost all explosive areas in which a visual indication of a machine's status is required.

The ComEx Ex i illuminated indicator module is flexible and available in different colours (red, green, yellow, white and blue). The connecting cable is connected to the ComEx Ex i illuminated indicator module via screw terminals. The ComEx Ex i illuminated indicator module offer the option of simple and fast mounting on a rail- or a panel mounted installation per direct mounting to the ComEx actuator. The ComEx Ex i illuminated indicator modules are developed and certified for globally market.

- Easy installation
- Certified for zone 1 and 21
- Operating temperature
 - 55 °C to +85 °C (-67 °F to +185 °F)
- Intensive illumination by colored LED



Explosion protection

Notified Body Number	CE 0044
Approved Body Number	2503
ATEX/UKEX Ex protection type	Ⓜ II 2G Ex db eb ia IIC Gb Ⓜ I M2 Ex db eb ia I Mb
ATEX/UKEX certificate number	CML 22 ATEX 1135 U CML 22 UKEX 1136 U
IECEX Ex protection type	Ex db eb ia IIC Gb Ex db eb ia I Mb
IECEX certificate number	IECEX CML 22.0014 U
CEC (UL Mark)	Ex db ia IIC Gb Class I, Division 2, Groups A, B, C, D
NEC (UL Mark)	Class I, Zone 1, AEx db ia IIC Gb Class I, Division 2, Groups A, B, C, D
UL certificate number	UL E184198
Service temperature	-55 °C to +85 °C (-67 °F to +185 °F)

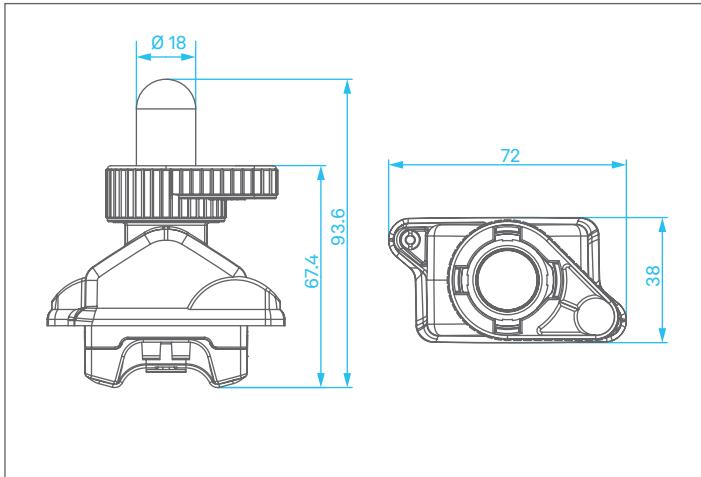
For further approvals and certificates, see www.bartec.com

Technical data

Max. Ambient temperature only with protection by flameproof enclosure “d”	+85 °C (+185 °F)
Degree of protection	IP20 acc. to EN 60529
Rated voltage	DC 12-30 V
Rated insulation voltage	30 V
Lamp	LED (red, green, yellow, white, blue)
Illumination	very bright, visible angle over 180°
Enclosure material	thermoplastic
Connection	0.75 mm ² - 2.5 mm ² /18 AWG - 12 AWG
Electrical life	>10 ⁵ running hours
Storage and transport temperature	-55 °C to +85 °C (-67 °F to +185 °F)
Weight	Panelmounted approx. 110 g Railmounted approx. 90 g
Mounting	Panelmounted (locked to signal device actuators 07-3400-L* by bayonet catch) Railmounted (latched on mounting rail NS 35 x 7.5)
Shock resistance	DIN EN 60068-2-27, 30 g 18 ms

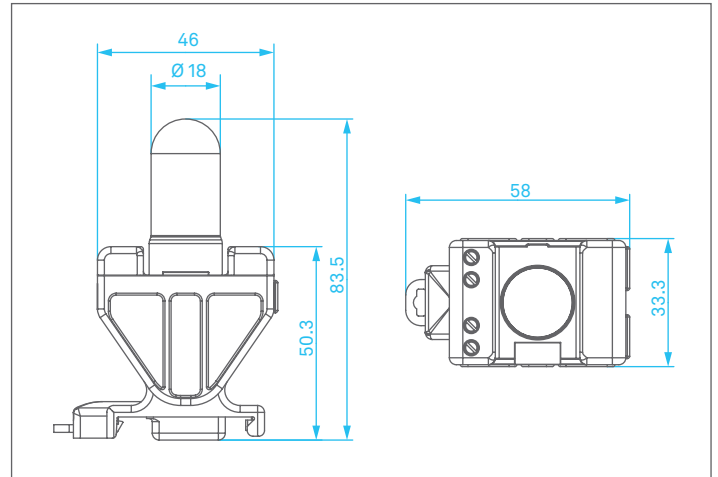
Dimensions in mm

ComEx Ex i illuminated indicator module for panelmounted
07-3354-44*



Dimensions in mm

ComEx Ex i illuminated indicator module for railmounted
07-3352-14*



Ordering information

Wiring diagram	Colour LED	A	Colour actuator	B
	red	1	red	R
	green	2	green	G
	white	4	yellow	Y
	white	4	white	W
	blue	5	blue	B

Intrinsically safe parameters

Max. input voltage (Ui)	30 V
Max. input current (Ii)	150 mA
Max. input power (Pi)	1 W
Inductance (Li)	negligibly low
Capacitance (Ci)	37 nF

Complete order no.

ComEx Ex i illuminated indicator module for panelmounted
without actuating element

0 7 - 3 3 5 4 - 4 4 **A** 0

ComEx Ex i illuminated indicator module for railmounted
without actuating element

0 7 - 3 3 5 2 - 1 4 **A** 0

Actuating element

Standard

0 7 - 3 4 0 0 - L **B** 0 0

Please enter code number.