



- One module for all fields of application
- Illumination 180°
- High flexibility due to junction box
- Low installation depth

The ComEx<sup>flex</sup> lamp module indicates command modes by means of a light signal lighting up or going out. It is suitable for use in almost all explosive areas in which a visual indication of a machine's functional status is required. The lamp module can be combined with various lamp module actuating elements. A junction box is available to facilitate a safe and convenient installation of the module into a control panel. The conductors are connected by means of terminals on the back of the module which have an increased safety level. The lamp module actuating elements can be fitted easily, without the use of tools, which ensures conformance to the high IP degree of protection.

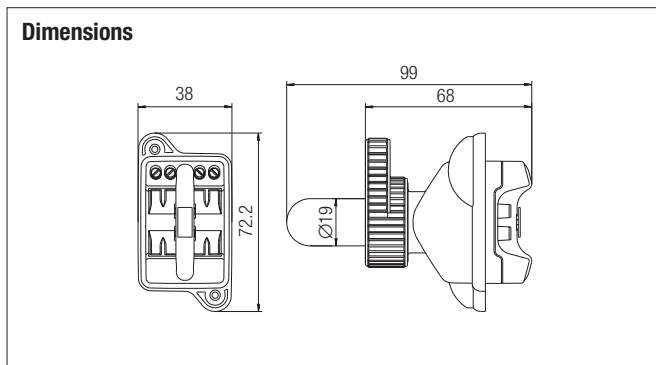
### Explosion protection

Marking ATEX	II 2G Ex db eb IIC Gb I M2 Ex db eb I Mb
Certification	CML 17 ATEX 1106 U
Marking IECEx	Ex db eb IIC Gb Ex db eb I Mb
Certification	IECEx CML 17.0046 U
Other approvals and certificates, see <a href="http://www.bartec.de">www.bartec.de</a>	
Ambient temperature	-55 °C to +60 °C

### Technical data

Technical data	determined by actuating element and control station enclosure, min. IP 66, terminals IP 20 (IEC 60529).	
Rated insulation voltage	300 V	
Rated operating voltage	AC 12 V to 250 V	( $T_a \leq +50$ °C)
	DC 12 V to 60 V	( $T_a \leq +50$ °C)
	AC/DC 12 V to 24 V	( $T_a \leq +60$ °C)
Power consumption	$\leq 1$ W	
Lamp	LED, red, green, yellow, white, blue	
Illumination	very bright, visible angle over 180°	
Enclosure material	thermoplastic	
Connection	terminals 2.5 mm <sup>2</sup> , fine-stranded	
Electrical life	$>10^5$ running hours	
Storage and transport temperature	-55 °C to +70 °C	
Weight	approx. 110 g	
Mounting	locked, bayonet lock	
Shock resistance	DIN EN 60068-2-27, 30 g 18 ms	

### Dimensions



### Ordering information

Wiring diagram	Colour LED	Code no.	Colour actuator	Code no.
	red	1	red	3
	green	2	green	4
	yellow	3	yellow	5
	white	4	white	6
	blue	5	blue	7

Complete order no.

<b>Lamp module</b> without actuating element	07-3353-41	<input type="checkbox"/> 0
<b>Actuating element</b> Standard	05-0003-001	<input type="checkbox"/> 00
Increased oil resistance	05-0003-001	<input type="checkbox"/> 00BN

Please enter code number.

Technical data subject to change without notice.