



BARTEC offers a junction box to facilitate the use of ComEx<sup>flex</sup> in a control console or a control panel. The junction box features a cable gland and can be combined with various function modules. The junction box allows the connection of a conductor, which can be assembled either to order or by the customer.

ComEx<sup>flex</sup> junction boxes with function modules



**ComEx<sup>flex</sup> junction boxes**

in conjunction with ComEx<sup>flex</sup> function modules

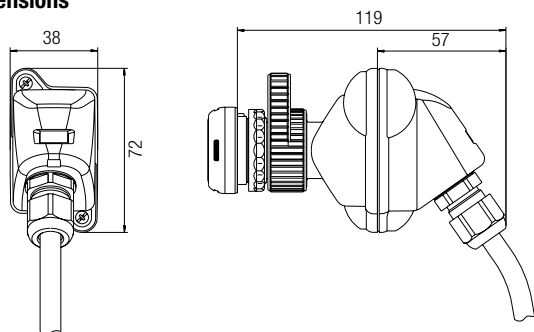
**Explosion protection**

Marking ATEX	Ⓢ II 2G Ex db eb IIC T6 Gb Ⓢ II 2G Ex db eb ia IIC T6 Gb Ⓢ II 2D Ex tb IIIC T80 °C Db Ⓢ II 2D Ex tb ia IIIC T80 °C Db
Certification	CML 17 ATEX 1117 X
Marking IECEx	Ex db eb IIC T6 Gb Ex db eb ia IIC T6 Gb Ex tb IIIC T80 °C Db Ex tb ia IIIC T80 °C Db
Certification	IECEx CML 17.0055X
Other approvals and certificates, see <a href="http://www.bartec.de">www.bartec.de</a>	
Ambient temperature	55 °C to +40 °C / +50 °C / +60 °C
Approved for Zone	1/21 and 2/22

**Technical data**

Protection class	Function module with junction box and actuating element min. IP 66
Weight	approx. 40 g
Clamping range	4 to 9 mm 5 to 10 mm
Enclosure material/ manufacturing process	Thermoplastic/injection moulding
Sheathed leads available on request	BETAflam 145-flex UL ULstyle 4486
	Switch module 4 x 1.5 mm <sup>2</sup> BK, BU, BN, GY Lamp Module 2 x 0.75 mm <sup>2</sup> BU, BN Illuminated button 4 x 0.75 mm <sup>2</sup> BK, BU, BN, GY Potentiometer 3 x 0.75 mm <sup>2</sup> BK, BN, GY

**Dimensions**



**Ordering information**

Version	Order no.
Junction box	05-0042-0050

Technical data subject to change without notice.