



Connector

## 32 A plug connection



Wall socket



Flange socket

### Description

The plug connections in the 07-832\* series are suitable for use in potentially explosive areas of Zones 1 and 2 and of Zones 21 and 22.

The quality materials used for the enclosure, including the external metal parts, guarantee the appropriate corrosion protection and chemical resistance for the application in "normal industrial atmospheres":

- Impact resistant polyamide
- Fibreglass reinforced polyester
- Stainless steel AISI 316 L.

The plug connections are used to supply power to portable local controllers, electrical installations and mobile machines and drives in potentially explosive areas, but can also be used in a "normal industrial area".

The low voltage sockets can be used up to a max. 32 A and for the voltage range set out in EN 60309 (see technical data).

The operating equipment connected to the connector must be suitable for the mains voltage supplied.

### Explosion protection

#### Ex protection type

**ATEX** Ex II 2G Ex d e [ia] IIC T6 Gb  
Ex II 2D Ex tb IIIC T80 °C Db

#### Certification

Wall socket/connector  
PTB 99 ATEX 1041  
Flange socket  
PTB 99 ATEX 1042 U

**IECEX** Ex ed [ia] IIC T6

#### Certification

IECEX BKI 04.0002

Other approvals and test certificates can be found at [www.bartec.de](http://www.bartec.de)

#### Permitted ambient temperature

-20 °C to +40 °C

Extended temperature range on request

### Technical data

#### Rated voltage

Up to 250 V, (3-pole) / 415 V, (4-pole) / 415 V, (5-pole) AC  
Further voltage ranges on request

#### Rated current

16 A

#### Frequency

Up to 400 Hz

#### Making / breaking capacity AC-3 in acc. with EN 60947-4

$U_e$  690 V /  $I_e$  16 A

#### Max. external back-up fuse

Without thermal protection: 16 A  
With thermal protection: 35 A gL  
(Rated current set to 16 A)

#### Protection class

I

#### Protection class under EN 60529

IP 66

#### Enclosure colour

Black

#### Wall socket

#### Cable glands

1 x M25 Ø 8 to 17 mm  
1 x M25 plastic EX screw plug

#### Terminals

2 x 1 to 4 mm<sup>2</sup>

#### Enclosure material

Fibreglass reinforced polyester



**Connector**

**Cable glands**

- Ø 8 to 19 mm (3-pole)
- Ø 8 to 21 mm (4-pole)
- Ø 12 to 21 mm (5-pole)

**Terminals**

1 x 1.0 to 2.5 mm<sup>2</sup>

**Enclosure material**

Polyamide

**Flange socket**

**Terminals**

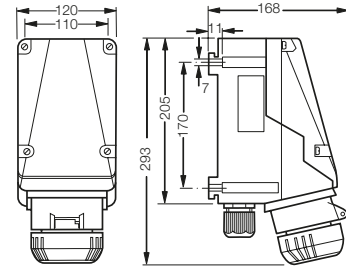
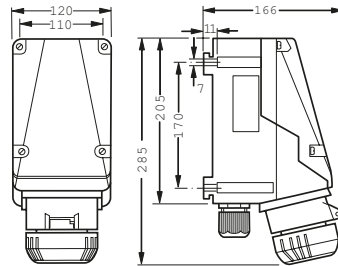
2 x 1 to 4 mm<sup>2</sup>

**Enclosure material**

Polyamide

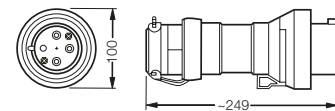
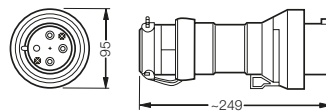
**Dimensions** 3-pole wall socket,

4/5-pole wall socket



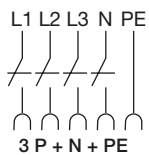
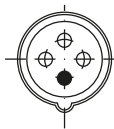
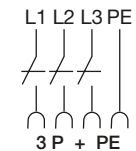
**Dimensions** 3-pole connector

4/5-pole connector



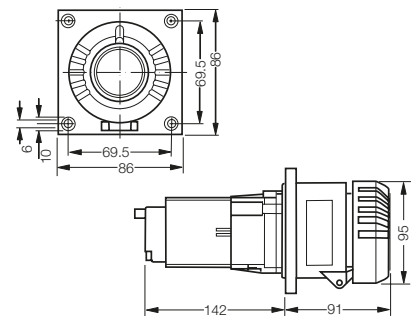
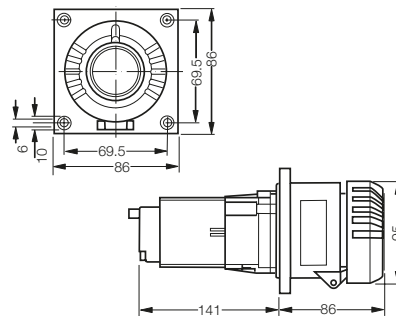
**Connection diagrams**

without auxiliary contact



**Dimensions** 3-pole flange socket

4/5-pole flange socket



**Selection table**

Voltage	h	Type	Cable gland	Weight approx. kg	Order no.
<b>Type 32 A 4-pole</b>					
380 to 415 V		Wall socket	KU	1.8	<b>07-8324-45461000</b>
		Flange socket		1.0	<b>07-8323-45100000</b>
		Connector		0.7	<b>07-8321-45100000</b>
<b>Type 32 A 5-pole</b>					
200 to 250 V 380 to 415 V		Wall socket	KU	1.8	<b>07-8324-55461000</b>
		Flange socket		1.0	<b>07-8323-55100000</b>
		Connector		0.7	<b>07-8321-55100000</b>

Other voltage ranges and designs are available on request. KU = 1 x M40 plastic cable gland for Ø 17 to 28 mm, 1 x M40 plastic EX screw plug