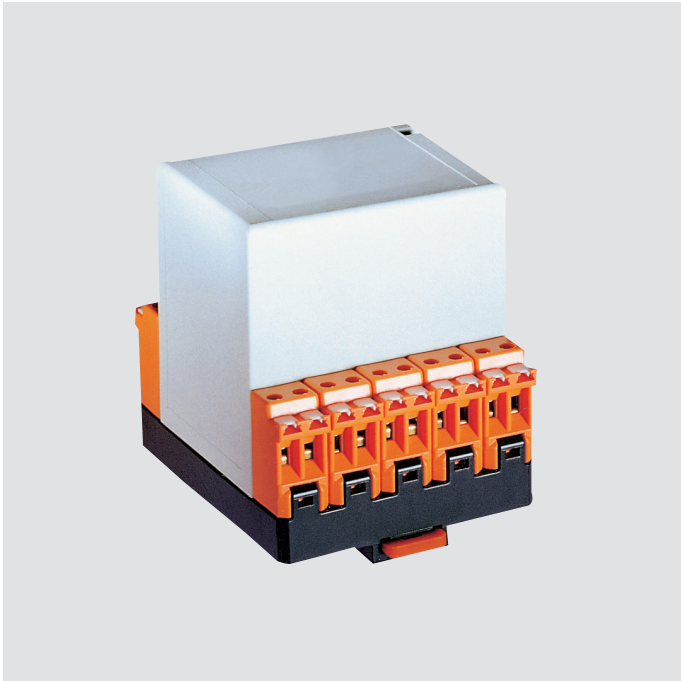


Relay 4 NO/8 NC



Relay for alternating voltage, neutral, monostable. High-quality cradle relays for AC are installed as encapsulated flameproof elements in the MODEX enclosure. The IP 66 protection class ensures that the contacts are also protected from aggressive atmospheres.

Applications:
switching of measuring and control circuits in industrial areas.

Explosion protection

Marking ATEX	Ex II 2G Ex db e IIC Gb Ex I M2 Ex db e I Mb
Certification	PTB 97 ATEX 1068 U
Marking IECEX	Ex db e IIC oder Ex d e IIC Gb Ex db e I oder Ex d e I Mb
Certification	IECEX PTB 11.0083U

Other approvals and certificates, www.bartec.com

Technical data

Enclosure material	High-quality thermoplastics		
Protection class	Module	IP 66	EN/IEC 60529
	Terminals	IP 20	EN/IEC 60529
Terminals	2.5 mm ² , fine stranded		
Mounting rail	TH 35 x 7.5 (15) EN/IEC 60715		
Terminal designation	written marking labels		
Ambient temperature	-25 °C to +60 °C at T4 mounted in sequence on TH at 5 mm spacing		
Storage temperature	-40 °C to +70 °C		
Weight	0,500 kg		

Electrical data

Operating data (coil circuit)	
U_N	I_N (8 contact decks)
AC 110/120 V / 50/60 Hz	28 mA
AC 230/240 V / 50 Hz	28 mA
Contact data	Switching voltage: $U_{A,max.} = AC/DC 250 V$ Switching current: 8 NC: 2 A/contact 4 NO: 4 A/contact Minimum voltage: 5 V Minimum power: 4 mA
Switching capacity	$P_{max.} = 50 W/500 VA$
Contact material	silver, gold-flashed
Contact arrangement	4 changeovers; 8 NO; 4 NO/4 NC

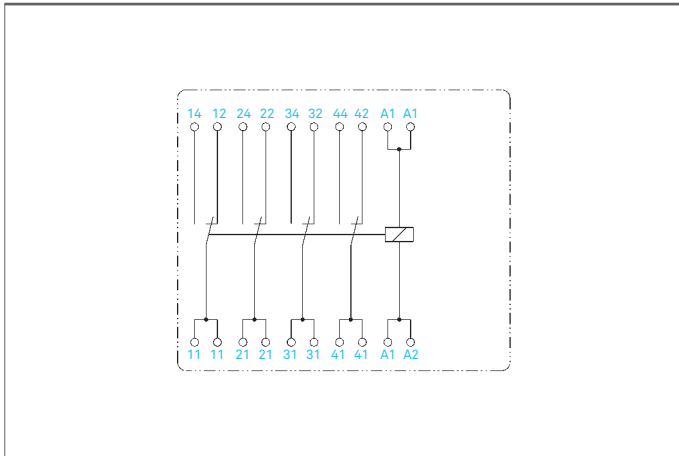
Note

For use with inductive loads the relays can be connected with an effective suppressor in order to protect the contacts.

Other datas	AC types
Max. switching frequency	15 (switching cycles/sec)
Mech. service life	approx. 10 ⁷ (switching cycles)
Test voltage	coil/contact (V_{rms}) 500 at $U_N \leq 60 V$, 2 000 at $U_N > 60 V$ 500 contact/contact (V_{rms})

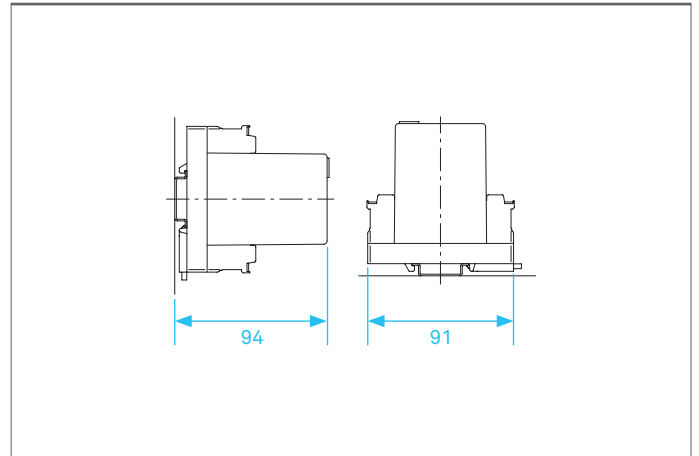
Wiring diagrams/terminal assignments

4 changeovers

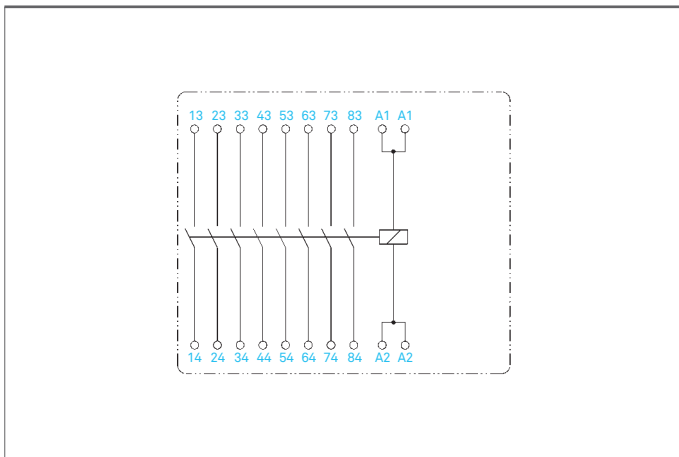


Dimensions/mounting positions

Module width: 75 mm



8 NO



Ordering information

0 7 - 7 3 1 1 - 9 7 7 * / * 7 3 0
A B

A Contacts
4 – 4 changeovers
C – 8 NO

B Voltage
J – AC 230 V/240 V
R – AC 110/120 V / 50/60 Hz

Please enter code number. Technical data subject to change without notice.