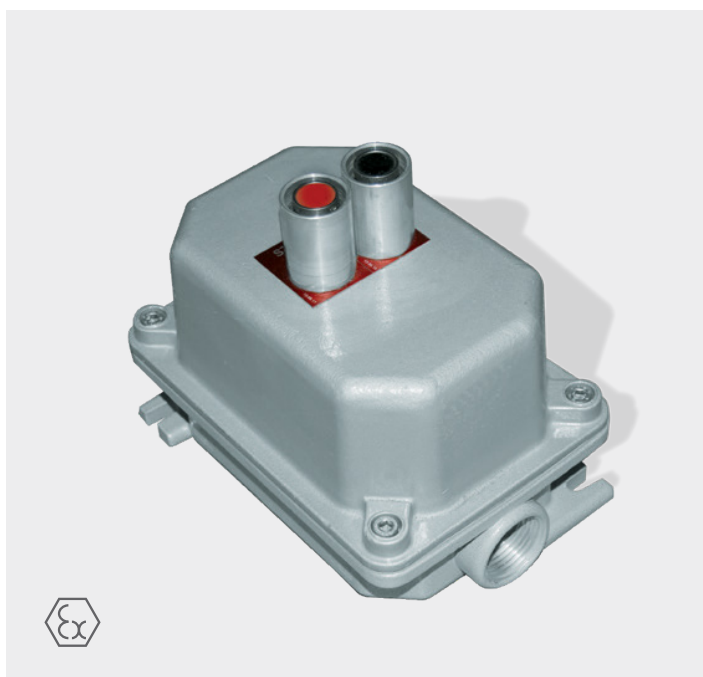
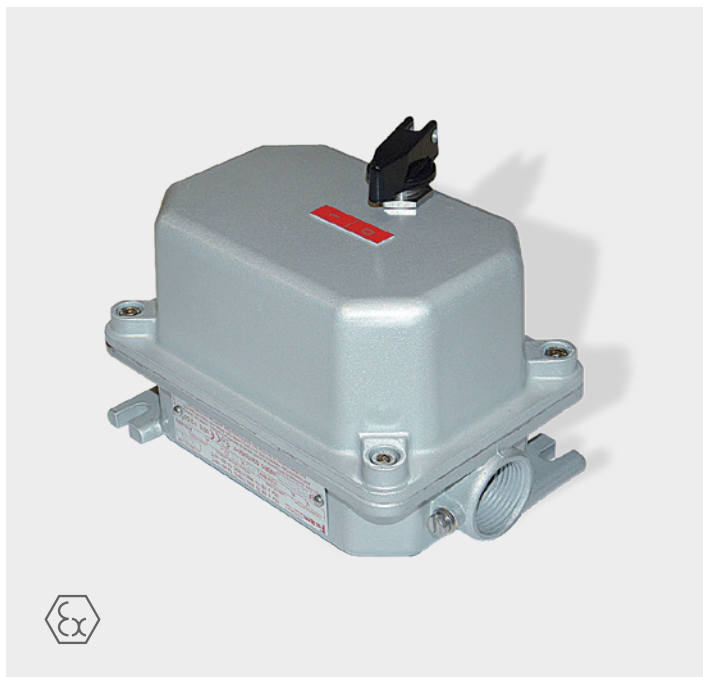


EFSC218

Thermal magnetic and earth leakage circuit breakers, selector and fused switches



Installation

hazardous areas - Zone 1 / 2 (Gases) - Zone 21 / 22

Classification

Group II - Category 2G 2D

Reference standards

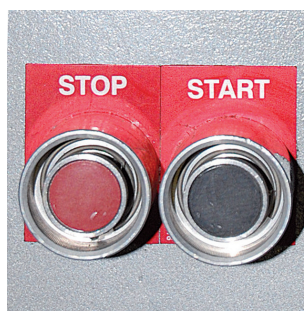
| | |
|---------------------------------|--|
| Directive 2014/34/EU | |
| Execution | Ⓜ II 2 G Ex d IIB T6/T5 Gb Ⓜ II 2 D Ex tb IIIC T85° C/T100 °C Db |
| Rules of compliance | EN/IEC 60079-0; EN/IEC 60079-1; EN/IEC 60079-31 |
| EU Type-Examination Certificate | INERIS 03 ATEX 0047X |
| Protection degree | IP66 |
| Ambient temperature | -60 °C ÷ +60 °C |
| Other available certificates | IECEX: IECEX INE 11.0034X INMETRO: CEPCL 13.2253X RUSSIAN MARINE CERTIFICATE (RMRS): 19.02523.280 |

Mechanical characteristics

| | |
|----------------|--|
| Body | marine grade copper free aluminium light alloy |
| Cover | marine grade copper free aluminium light alloy |
| Screws | stainless steel |
| Internal plate | galvanized steel |

On Request Accessories

- External epoxy painting with colour on request



Technical features

| Code | A [mm] | B [mm] | C [mm] | D [mm] | E [mm] | Ø F [mm] | Temperature class (gas) | Temperature class (dust) | Weight [kg] | Detail |
|---------------------------------|--------|--------|--------|--------|--------|----------|-------------------------|--------------------------|-------------|--------|
| EFSC218 M310 EFSC218M310L | 195 | 185 | 130 | 118 | 145 | 1" NPT | T4 T5 | T100 °C T125 °C | 3,45 | A |
| EFSC218 3I3V25 EFSC218313V26 | 195 | 185 | 130 | 118 | 145 | 1" NPT | T4 T5 | T100 °C T125 °C | 3,10 | B |
| EFSC218 GUSC... | 195 | 185 | 130 | 118 | 155 | 1" NPT | T4 T5 | T100 °C T125 °C | 3,10 | C |
| EFSC218 GUSV... | 195 | 185 | 130 | 118 | 145 | 1" NPT | T4 T5 | T100 °C T125 °C | 3,20 | D |
| EFSC218 SMT... | 195 | 185 | 130 | 118 | 130 | 1" NPT | T4 T5 | T100 °C T125 °C | 2,90 | E |

Selector switches 500 V 50-60 Hz

| Code | Selector switches q.ty | | Rate [In] | Detail |
|--------------|------------------------|---------------|-----------|--------|
| | Padlock handle | Normal handle | | |
| EFSC218M310 | - | 2 | 10 A | A |
| EFSC218M310L | 1 | 1 | 10 A | A |

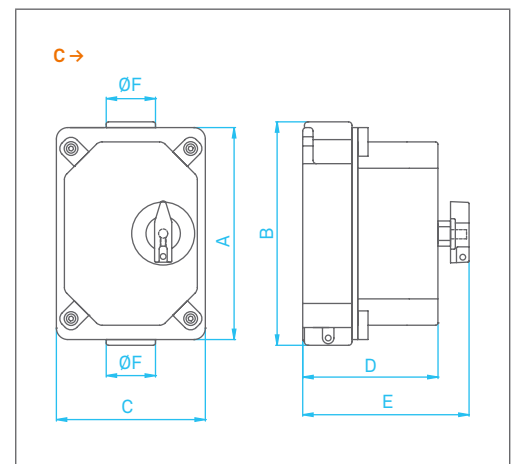
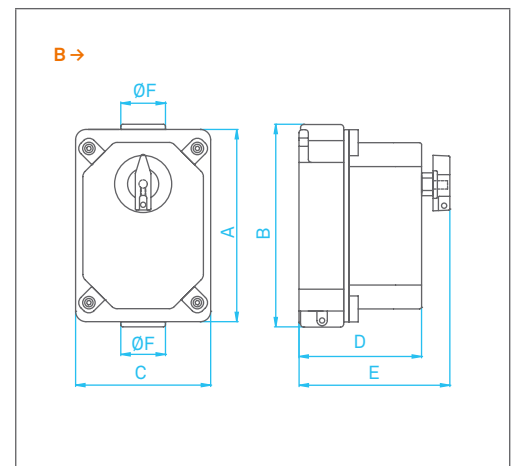
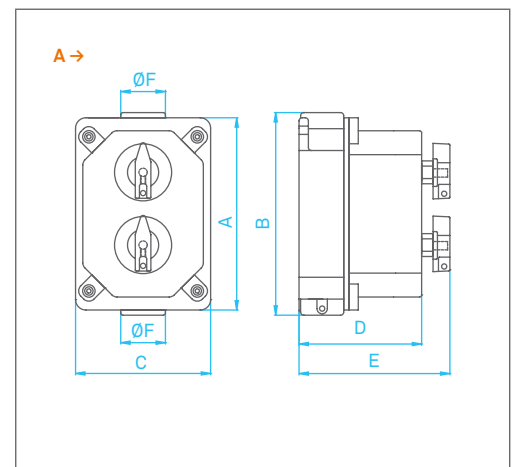
Three poles fuse switch 500 V 50-60 Hz

| Code | Three pole switch | E16 delayed fuse q.ty | Rate [In] | Detail |
|---------------|-------------------|-----------------------|-----------|--------|
| EFSC2183I3V16 | 1 | 3 | 16 A | B |
| EFSC2183I3V25 | 1 | 3 | 25 A | B |

Circuit breakers curve "C" 415v 50-60 Hz 6kA

| Code two poles | Code three poles | Code four poles | Rate [In] | Detail |
|-----------------|------------------|-----------------|-----------|--------|
| EFSC218GUSC3206 | EFSC218GUSC3306 | EFSC218GUSC3406 | 6 A | C |
| EFSC218GUSC3210 | EFSC218GUSC3310 | EFSC218GUSC3410 | 10 A | C |
| EFSC218GUSC3216 | EFSC218GUSC3316 | EFSC218GUSC3416 | 16 A | C |
| EFSC218GUSC3220 | EFSC218GUSC3320 | EFSC218GUSC3420 | 20 A | C |
| EFSC218GUSC3225 | EFSC218GUSC3325 | EFSC218GUSC3425 | 25 A | C |
| EFSC218GUSC3232 | EFSC218GUSC3332 | EFSC218GUSC3432 | 32 A | C |
| EFSC218GUSC3240 | EFSC218GUSC3340 | EFSC218GUSC3440 | 40 A | C |
| EFSC218GUSC3250 | EFSC218GUSC3350 | EFSC218GUSC3450 | 50 A | C |
| EFSC218GUSC3263 | EFSC218GUSC3363 | EFSC218GUSC3463 | 63 A | C |

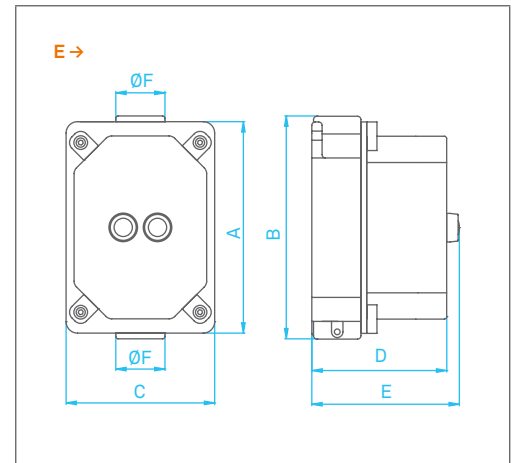
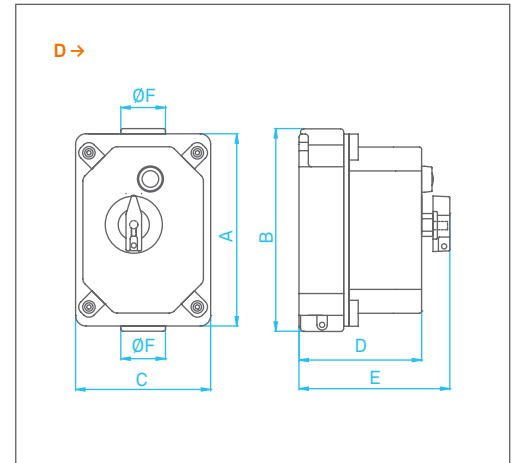
Reference details



| Earth leakage circuit breakers 400/230v 50-60 Hz 300 mA 1PH+N - 3PH+N | | | |
|---|-----------------|-----------|--------|
| Code two poles | Code four poles | Rate [In] | Detail |
| EFSC218GUSV3225 | EFSC218GUSV3425 | 25 A | D |
| EFSC218GUSV3240 | EFSC218GUSV3440 | 40 A | D |
| - | EFSC218GUSV3463 | 63 A | D |

| Thermal magnetic motor protection three poles 660 V 50-60 Hz | | |
|--|-----------------|--------|
| Code | Range | Detail |
| EFSC218SMT034 | 0,20 - 0,35 A | E |
| EFSC218SMT036 | 0,35 - 0,60 A | E |
| EFSC218SMT301 | 0,60 - 1,00 A | E |
| EFSC218SMT302 | 1,00 - 1,60 A | E |
| EFSC218SMT303 | 1,60 - 2,50 A | E |
| EFSC218SMT304 | 2,50 - 4,00 A | E |
| EFSC218SMT306 | 4,00 - 6,60 A | E |
| EFSC218SMT310 | 6,00 - 10,00 A | E |
| EFSC218SMT316 | 10,00 - 16,00 A | E |

Reference details



REMARK:

Due to the development of the national and international specifications and of the technology, the above technical characteristics showed on this bulletin can be considered as binding on our confirmation only.