

Features

- Flexible product range with many standard sizes
- IP 66 ingress protection as standard
- Wide temperature ranges
- Flexible certification
- May be used with Ex e/i connection box
- Optional window on lid, sides or back
- High operational reliability
- Non invasive maintenance schedule

Typical applications

- Motor starter
- Alarm panel
- Intrinsically safe circuits
- Transformer
- Charging unit
- Terminal boxes

Options

- Ex d enclosure with windows in lid
- lamps or switches in lid or base, for Ex d enclosure, as well as Ex e enclosure

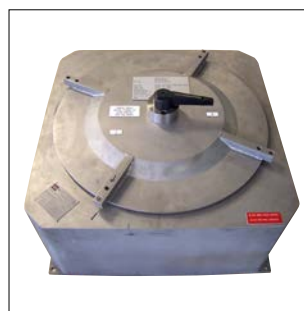
The TNCD range of enclosures is designed to meet the harshest of environments and are ideal for any rugged application where a potentially explosive atmosphere may be present. Our range is comprised of many standard sizes, all manufactured in 316L/CF3M stainless steel providing long term corrosion resistance. The enclosures allow for the use of standard electrical components inside. Thus subsequent replacement and maintenance is easy and may be performed by skilled electricians. If required, several enclosures may be assembled on a framework with separate or common Ex e/i connection boxes. The enclosures are supplied empty with component certification or as assembled turn-key systems.

Explosion protection

Marking	⊕ II 2G, II 2(1)G, II 2D and EPL Gb/Db Ex d [ja Ga][ib Gb][op is Ga] IIC T6-T4 Gb Ex tb [ja Da][ib Db] IIIC T85°C - T135°C Db
Certification ATEX	NEMKO 03ATEX263U TÜV 12ATEX102320X
IECEX	IECEX NEM 10.0001U IECEX TUN 12.0018X
INMETRO	DNV 16.0018U DNV 16.0019
EAC	TC RU C-NO.Г508.В.02029
Directives	EN/IEC: 60079-0, 60079-1, 60079-31

Technical data

Material	Stainless steel 316L/CF3M
IP rating	IP 66
Temperature	-20 °C to +40 °C optional -50 °C to +60 °C
Surface treatment	Shot blasted and acid pickled



Control and indication equipment can be fitted directly into the cover of an Ex d enclosure, or in the optional Ex e box.



Viewing window for TNCD

TNCD	max. diameter
1919xx	Ø 65 mm
2828xx	Ø 100 mm
3838xx	Ø 100 mm
5757xx	Ø 154 mm

The window is placed in centre of the lid. Windows (Ø 65 mm) can also be placed on the sides or back wall.

Measurement table for **Ex d IIC Explosion proof enclosures** (mm)

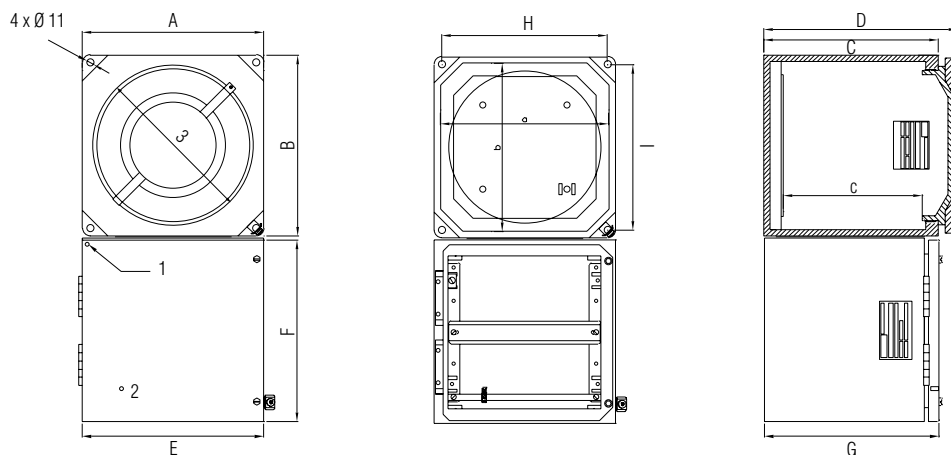
External dimensions						Internal dimensions			Weight (kg)	Fixing dimensions	
TNCD	Width A	Height B	Depth C	Total depth D	Lid aperture	Width a (mm)	Height b (mm)	Depth c (mm)		H	I
191918	190	190	180	205	M 152	167	167	134	16	166	166
282827	280	280	270	295	M 237	257	257	225	37	256	256
383827	380	380	270	295	M 337	357	357	225	60	356	356
575727	570	570	270	300	M 500	550	550	213	125	546	546

Other sizes upon request.

Measurement table for **Ex e connection boxes**

External dimensions				Weight (kg)
TNCD	Width E (mm)	Height F (mm)	Depth G (mm)	
191918	190	190	180	3.0
281927	280	190	270	4.4
282827	280	280	270	6.6
381927	380	190	270	4.6
383827	380	380	270	10.5
571927	570	190	270	9.6
573827	570	380	270	13.4
575727	570	570	270	19.7

Dimensions



- 1 Option: safety wire
- 2 M6 x 12 welded stud inside door
- 3 Lid

BARTEC TECHNOR

Your partner
for safety
technology.
Challenge us!

