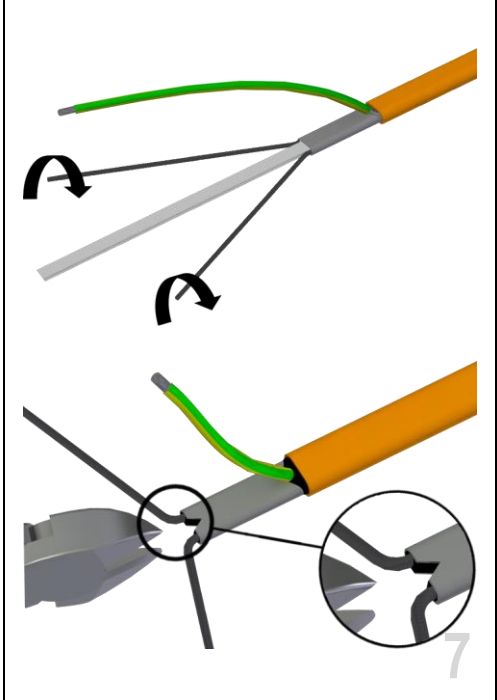
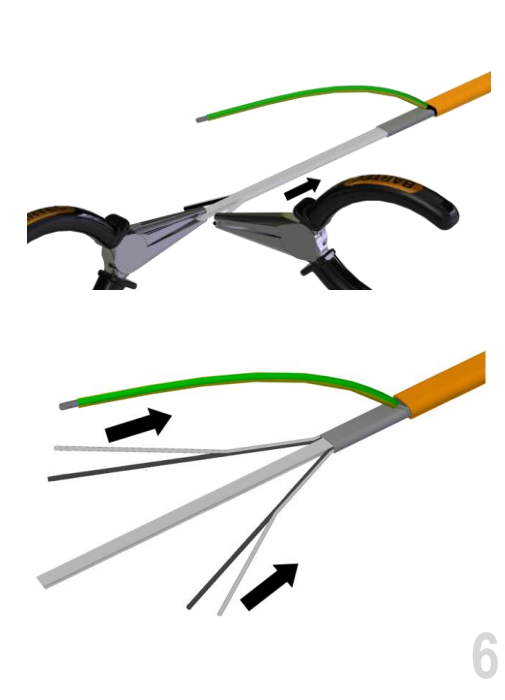
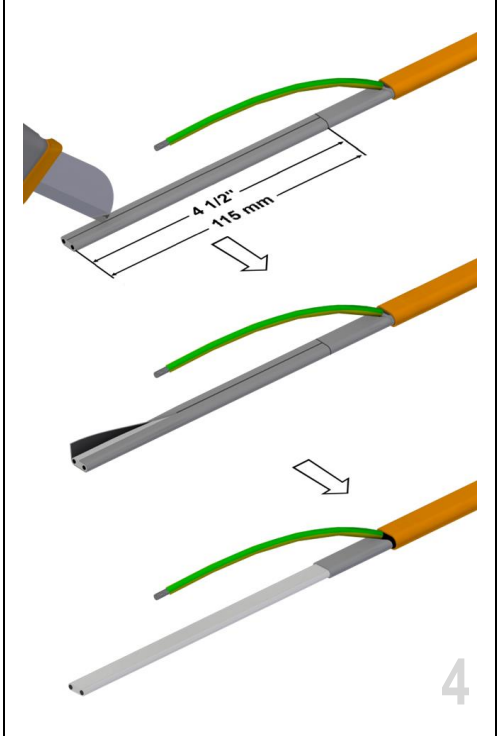
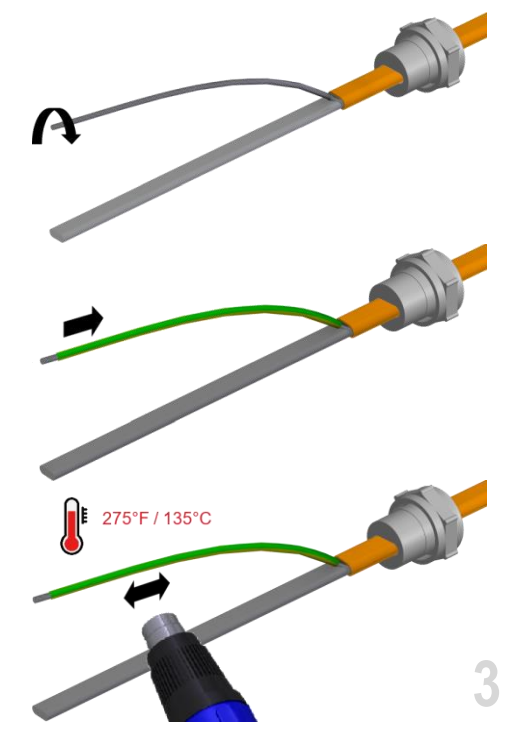
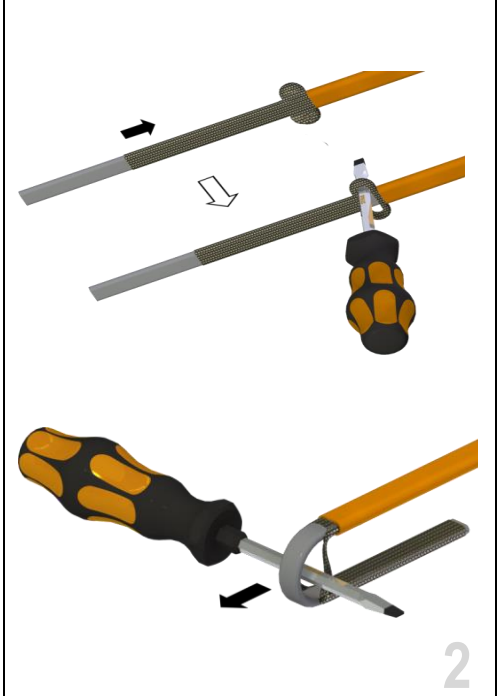
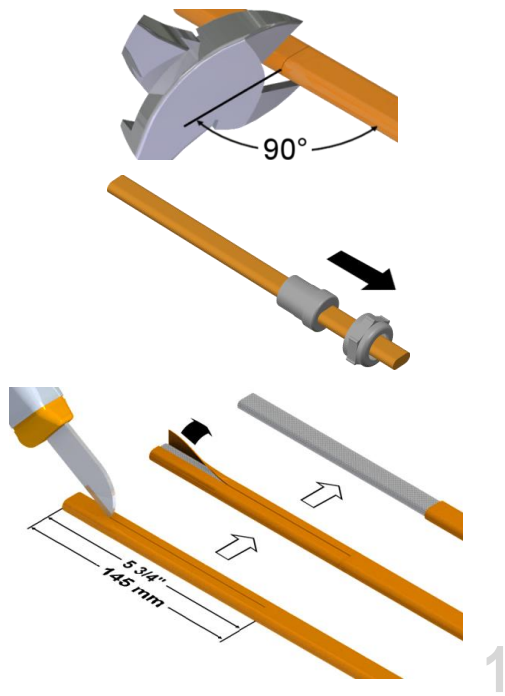


BARTEC



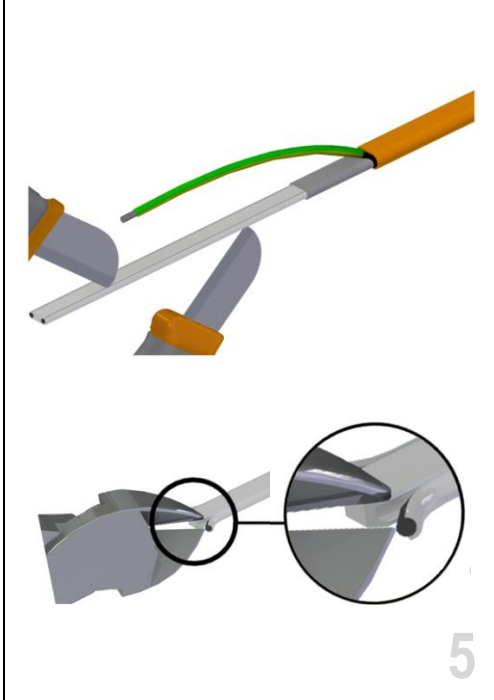
Installation Instructions
 27-59H* - ****/****
 HSK Heat Shrink kits
 for BARTEC trace heaters
 PSB, MSB, HSB, ST, FT, MT, PT

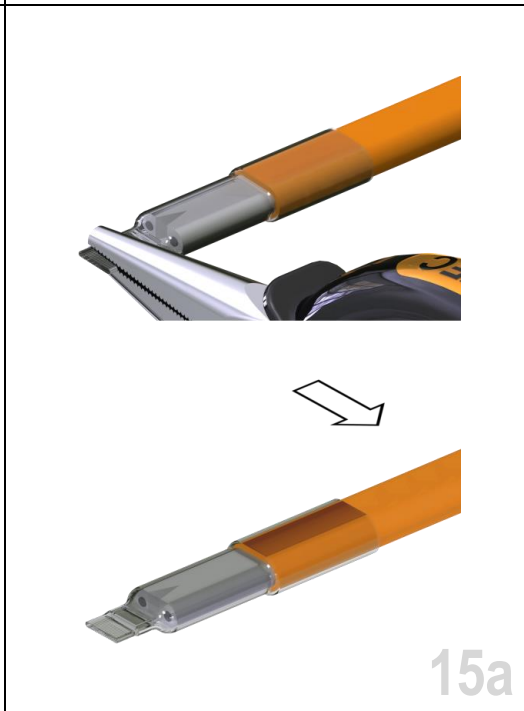
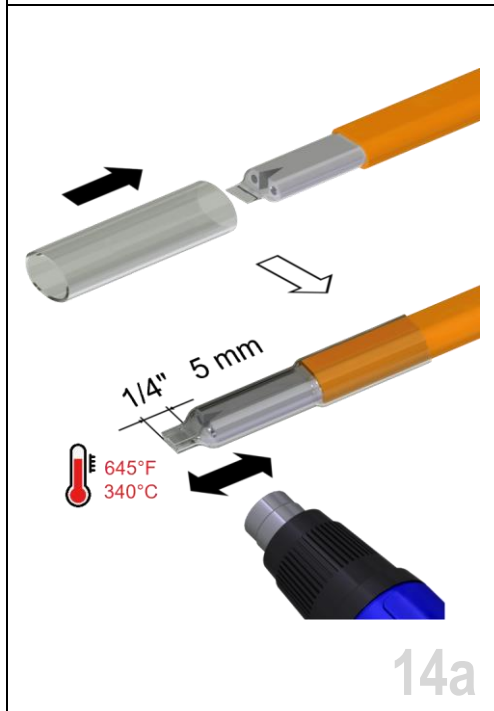
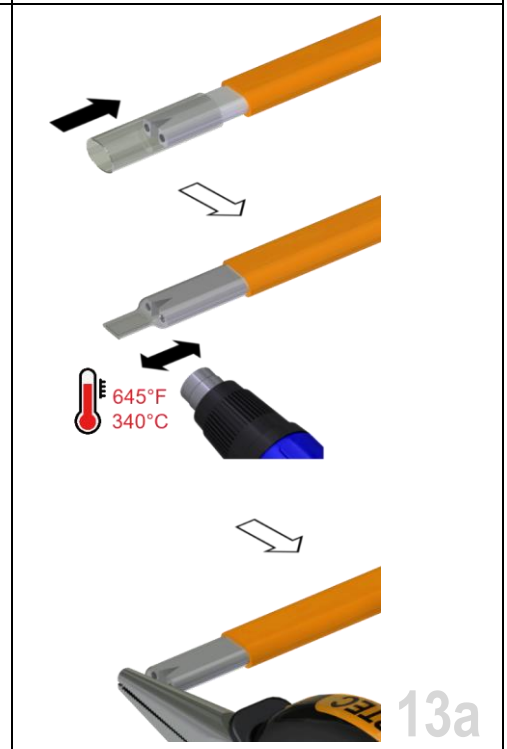
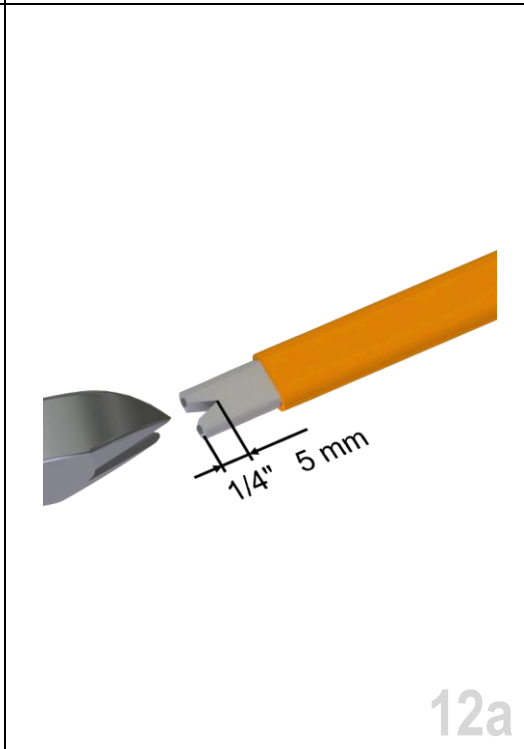
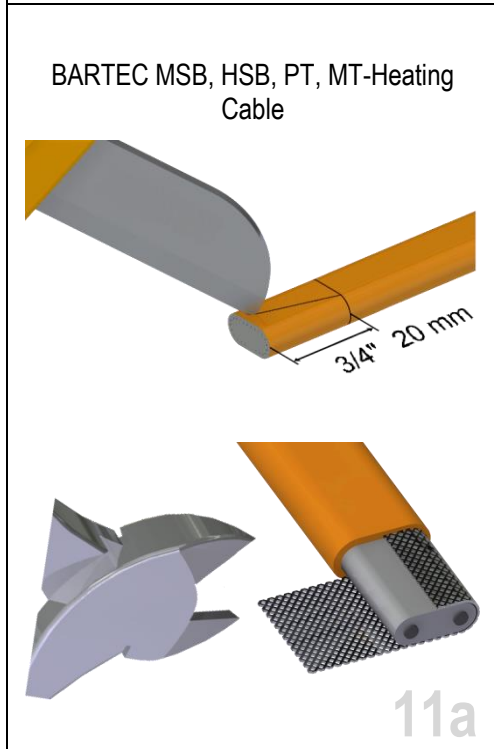
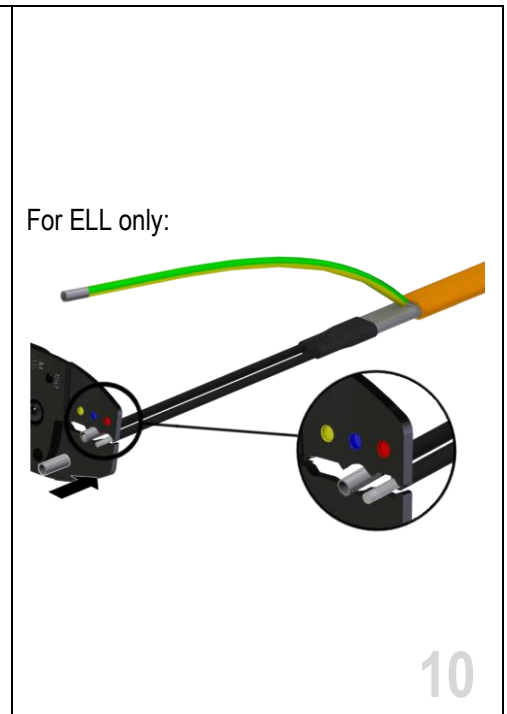
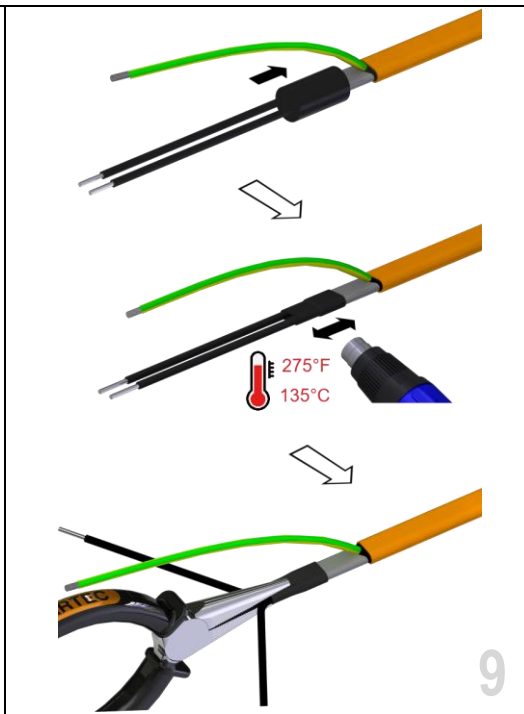
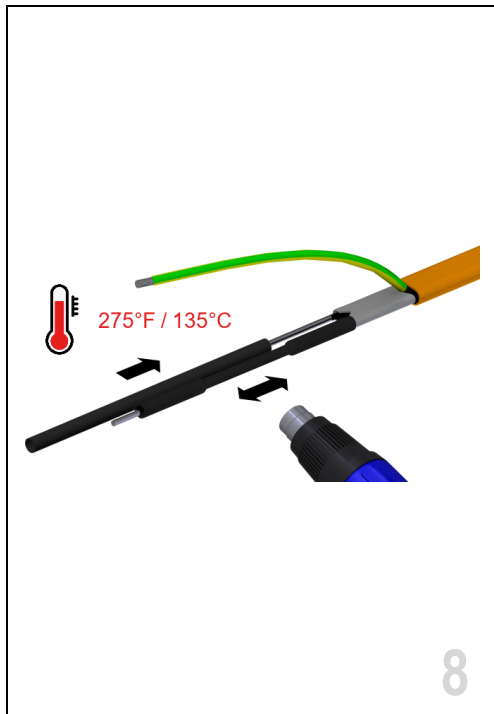


BARTEC GmbH
 Germany
 Max-Eyth-Strasse 16
 97980 Bad Mergentheim
 Tel: +49 7931 597-0
 www.bartec.com

General Information:
 See PBS, PBM, ELL
 product manual
 See Trace Heating Systems
 design guide
 See long version of
 Heat Shrink Technology
 manual

21-59HZ-7E0001-10/21-EHT-419747





For BARTEC PSB, ST, FT-Heating Cable:

