

SFLP LED

Lighting Fixtures for LED lamps



Installation

hazardous areas - Zone 2 (Gases) - Zone 22 (Dusts)

Classification

Group II - Category 3G 3D

Mechanical characteristics

Body	marine grade copper free aluminium
Diffuser	tempered front glass 4mm
Support	adjustable type 3 mm thick shaped steel
Painting	external thermosetting polyester powder RAL-7039 colour
Screws	external stainless steel
Gaskets	silicon rubber
Cable entry	Dia. 20.5 mm

Electrical characteristics

Power Supply	220÷240 Vac electronic driver 50/60 Hz - input surge protection and over temperature protection
Lamp type	Samsung LH 181B - CRI>80 CCT 4000K Lifetime: 80.000 hours L80 B10 @ta 25, 50.000 hours L80 B20 @tamax
Internal Wiring	high-temperature resistant silicon rubber insulation cables
Terminals	suitable up to 4 mm ² cables
Optic	SM = without lens, maximum efficiency AS = with asymmetrical lens vertex at 50deg ST = road lens with asymmetry vertex 30deg

Reference standards

Directive 2014/34/EU	
Execution	<ul style="list-style-type: none"> ⊕ II 3 G Ex ec IIC T4 Gc ⊕ II 3 D Ex tc IIIB T115 °C Dc
Rules of compliance	EN/IEC 60079-0; EN/IEC 60079-7; EN/IEC 60079-31
EC Type-Examination Certificate	INERIS 19 ATEX 3010X
Protection degree	IP66 (in accordance to IEC 60529 with silicone grease applied on gasket)
Ambient temperature	-40 °C ÷ +60 °C
Other available certificates	IECEX: IECEX INE 19.0034X EAC: TC RU C-IT.BH02.B.00602 ECASEx: in progress

On Request Accessories

- External painting colour on request
- DALI dimmable driver and output reduction with Vmidnight system
- CCT 2200/3000/5700 K
- Customized LED current drivers
- Additional optics
- SPD 10 KV
- Pole mounting

Technical data

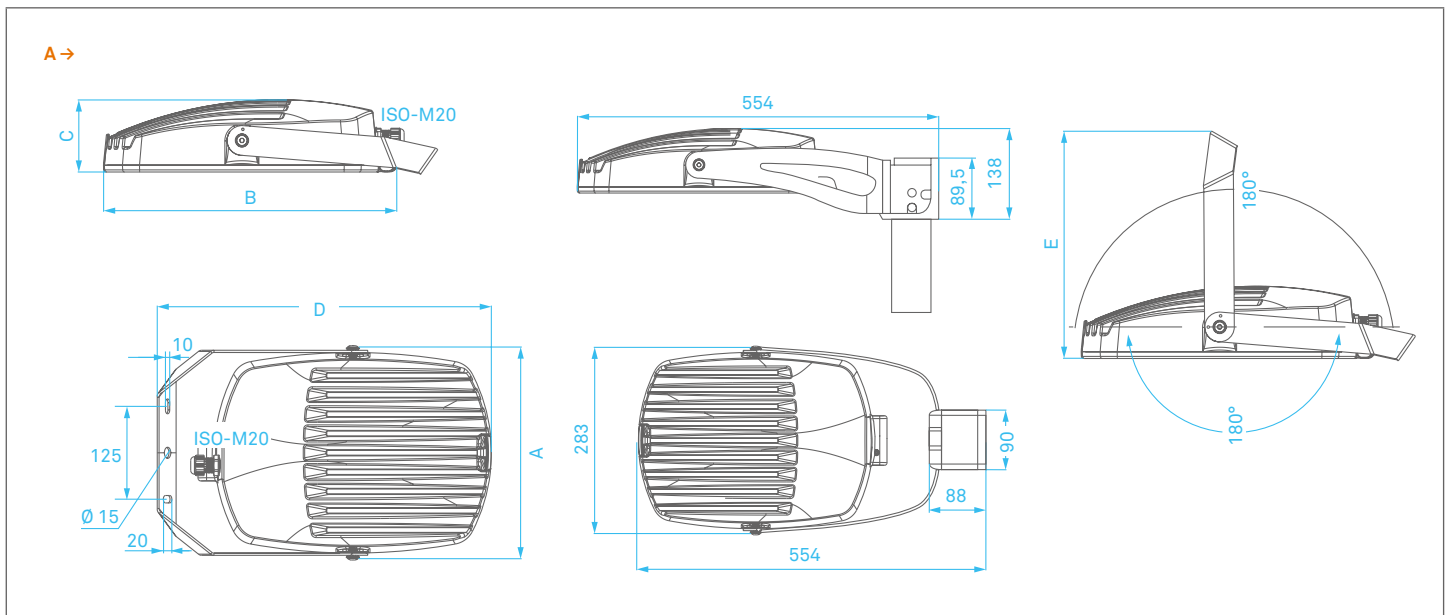
Code	Power lamp	Wiring	Temperature class (gas)	Temperature class (dusts)	Output typical (lm)	Output NET (lm)	Cable entry size	Detail
Floodlights for LED lamp - power supply 220 ÷ 2 40v 50/60 hz								
SFLP-1040B						4760		
SFLP-1041B	35 W	16 LED			5200	4560		
SFLP-1042B						4475		
SFLP-2080B						9515		
SFLP-2081B	70 W	32 LED			10400	9120		
SFLP-2082B						8950		
SFLP-3120B			T4 (Ta +60 °C)	T115 °C		14275	1 x ISO-M20	A
SFLP-3121B	105 W	48 LED			15600	13670		
SFLP-3122B						13420		
SFLP-4160B						19030		
SFLP-4161B	140 W	64 LED			20800	18235		
SFLP-4162B						17900		

Optic beam: 0B=SM - without lens / 1B=AS - asymmetrical lens / 2B=ST - street-road lens

Technical features

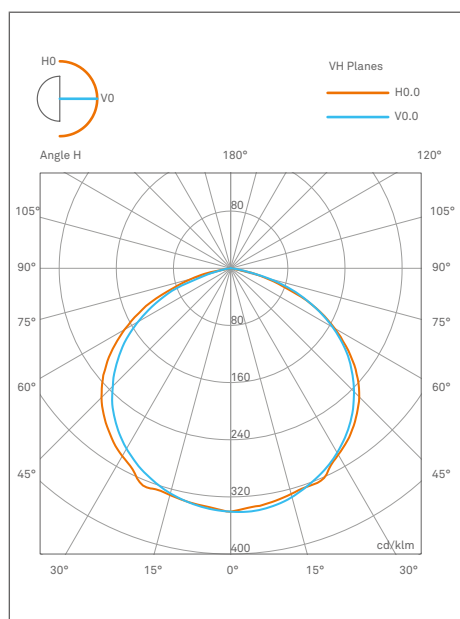
Code	A [mm]	B [mm]	C [mm]	D [mm]	E [mm]	Weight [kg]	Cable entry	Detail
SFLP-1040B	283	395	97	450	305	6,42	1 x ISO-M20	A
SFLP-1041B	283	395	97	450	305	6,45	1 x ISO-M20	A
SFLP-1042B	283	395	97	450	305	6,44	1 x ISO-M20	A
SFLP-2080B	283	395	97	450	305	6,45	1 x ISO-M20	A
SFLP-2081B	283	395	97	450	305	6,51	1 x ISO-M20	A
SFLP-2082B	283	395	97	450	305	6,50	1 x ISO-M20	A
SFLP-3120B	283	395	97	450	305	6,34	1 x ISO-M20	A
SFLP-3121B	283	395	97	450	305	6,43	1 x ISO-M20	A
SFLP-3122B	283	395	97	450	305	6,42	1 x ISO-M20	A
SFLP-4160B	283	395	97	450	305	6,40	1 x ISO-M20	A
SFLP-4161B	283	395	97	450	305	6,52	1 x ISO-M20	A
SFLP-4162B	283	395	97	450	305	6,51	1 x ISO-M20	A

Reference details



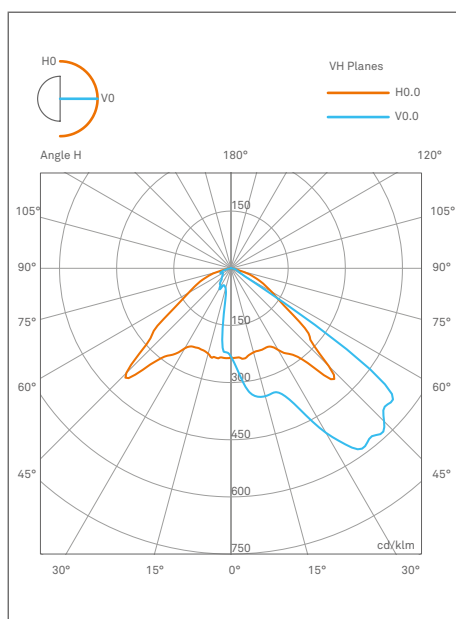
SFLP LED Polar diagrams - photometric data

SFLP-4160B



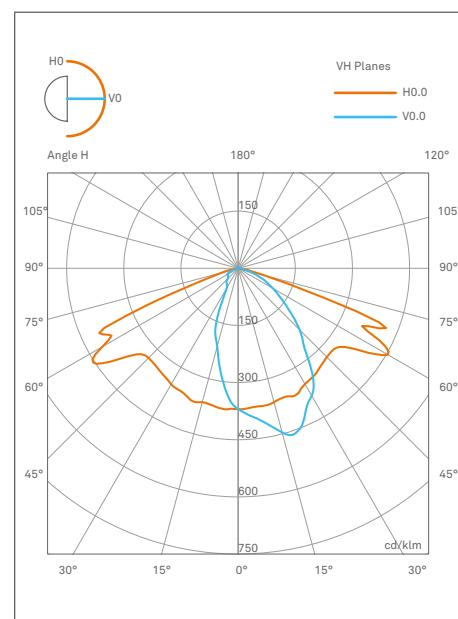
Luminaire Flux	19020.37 lm
Luminaire Power	140.00 W
Efficacy	135.86 lm/W
Lamps Flux	19030.00 lm
Maximum value	342.30 cd/klm
Position	H=2.50 V=-1.00
Efficiency	99,95%
VH Asymmetric	VH

SFLP-4161B



Luminaire Flux	6529.56 lm
Luminaire Power	55.00 W
Efficacy	118.72 lm/W
Lamps Flux	6523.46 lm
Maximum value	315.48 cd/klm
Position	C=0.00 G=0.00
Efficiency	99,94%
VH Asymmetric	VH

SFLP-4162B



Luminaire Flux	6064.49 lm
Luminaire Power	55.77 W
Efficacy	108.74 lm/W
Lamps Flux	6064.49 lm
Maximum value	347.17 cd/klm
Position	C=150.00 G=3.00
Efficiency	99,95%
VH Asymmetric	VH

On request accessories

Code	Description	Material
923.503.002	T Pole adapter Ø 60 mm	Painted steel

REMARK:
Due to the development of the national and international specifications and of the technology, the above technical characteristics showed on this bulletin can be considered as binding on our confirmation only.