

WFLA LED

Weatherproof floodlights for LED lamps



Installation

Safe Area

Insulation Class

I

Reference standards

CEI/EN	
Execution	Industrial weatherproof
Rules of compliance	EN 60598-1 + A1; EN 60598-2-1
EU Type-Examination Certificate	-
Protection degree	IP66 (in accordance to IEC 60529)
Ambient temperature	-

Mechanical characteristics

Body	Marine grade copper free aluminium
Diffuser	Tempered front glass 4 mm
Support	Adjustable type 3 mm thick shaped steel
Painting	External thermosetting polyester powder RAL-7039 colour
Screws	External stainless steel
Gaskets	Silicon rubber
Cable entry	Dia. 20.5 mm

Electrical characteristics

Power supply	220 ÷ 240 Vac electronic driver 50/60 Hz – C/W surge protection 6/8-10 KV and NTC thermal sensor
Lamp type	Samsung LH 181B – CRI>80 CCT 4000 K Lifetime: 80.000 hours L80 B10 @ta 25, 50.000 hours L80 B20 @tamax
Internal wiring	High-temperature resistant silicon rubber insulation cables
Terminals	Suitable up to 4 mm ² cables
Optic	SM = without lens, maximum efficiency AS = with asymmetrical lens with vertex at 50deg

On Request Accessories

- External painting colour on request
- DALI dimmable driver and output reduction Vmidnight system
- CCT 2200/3000/5700 K
- Customized LED current drivers
- Additional optics

Technical data

Floodlights for LED lamp – power supply 220÷240V 50/60Hz

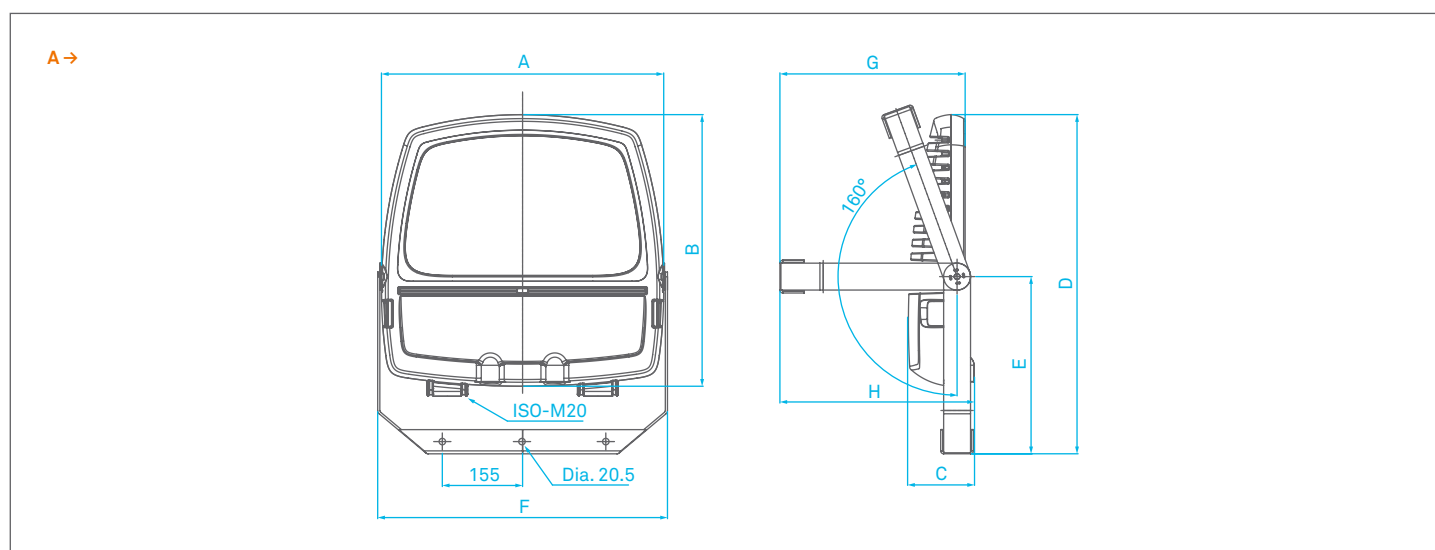
Code	Power lamp	Wiring	Temperature class (Gas)	Temperature class (Dusts)	Output typical (lm)	Output net (lm)	Cable entry size	Detail
WFLA-4160B	140 W	64 LED	–	–	20800	19035	1 X ISO-M20	A
WFLA-4161B								
WFLA-5200B	175 W	80 LED	–	–	26000	23790		
WFLA-5201B								
WFLA-6240B	210 W	96 LED	–	–	31200	28550		
WFLA-6241B								
WFLA-7280B	245 W	112 LED	–	–	36400	33310		
WFLA-7281B								
WFLA-8320B	280 W	128 LED	–	–	41600	38070		
WFLA-8321B								
WFLA-9360B	315 W	144 LED	–	–	46800	42825		
WFLA-9361B								

Optic beam: 0B=SM – without lens / 1B=AS – asymmetrical lens

Technical features

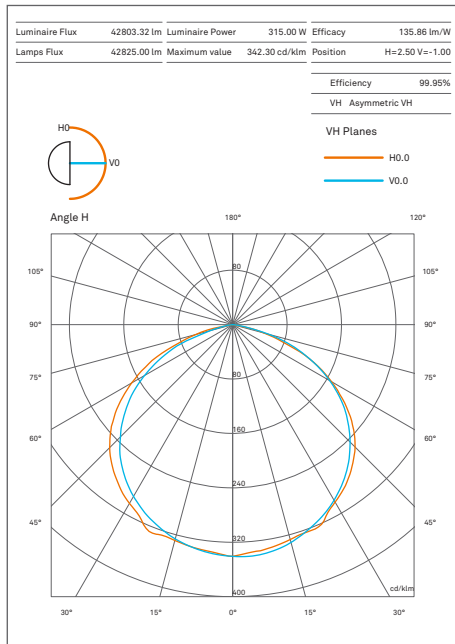
Code	A (mm)	B (mm)	C (mm)	D (mm)	E (mm)	F (mm)	G (mm)	H (mm)	Weight (kg)	Cable entry	Detail
WFLA-4160B	525	505	122	630,60	329	539	344	354	20,02	1 X ISO-M20	A
WFLA-4161B	525	505	122	630,60	329	539	344	354	20,07	1 X ISO-M20	A
WFLA-5200B	525	505	122	630,60	329	539	344	354	20,46	1 X ISO-M20	A
WFLA-5201B	525	505	122	630,60	329	539	344	354	20,52	1 X ISO-M20	A
WFLA-6240B	525	505	122	630,60	329	539	344	354	20,73	1 X ISO-M20	A
WFLA-6241B	525	505	122	630,60	329	539	344	354	20,80	1 X ISO-M20	A
WFLA-7280B	525	505	122	630,60	329	539	344	354	20,93	1 X ISO-M20	A
WFLA-7281B	525	505	122	630,60	329	539	344	354	21,01	1 X ISO-M20	A
WFLA-8320B	525	505	122	630,60	329	539	344	354	20,96	1 X ISO-M20	A
WFLA-8321B	525	505	122	630,60	329	539	344	354	21,05	1 X ISO-M20	A
WFLA-9360B	525	505	122	630,60	329	539	344	354	21,06	1 X ISO-M20	A
WFLA-9361B	525	505	122	630,60	329	539	344	354	21,22	1 X ISO-M20	A

Reference details

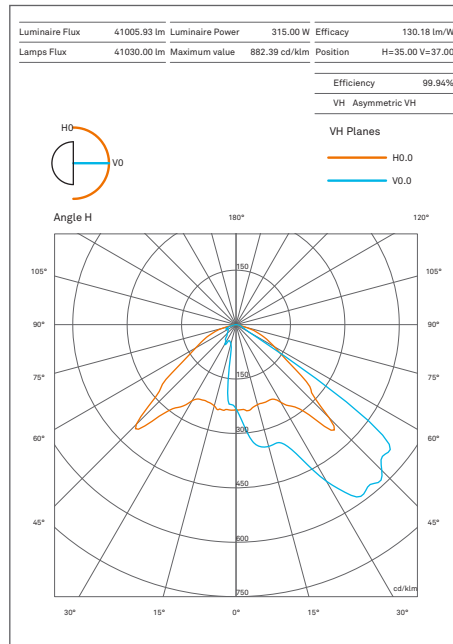


Polar diagrams – photometric data

WFLA-9360B



WFLA-9361B



REMARK:

Due to the development of the national and international specifications and of the technology, the above technical characteristics showed on this bulletin can be considered as binding on our confirmation only.