

STREET LED

Street lighting fixtures with led lamps



Mechanical characteristics

Body	Die casting aluminium
Wiring plate	Reinforced nylon
Painting	Thermosetting polyester powder (grey RAL-7039)
Protection glass	Tempered 4 mm
Fixing holder	Suitable for Ø 60 mm poles – adapter is required for Ø 42 mm poles



Installation

Safe Area

Insulation Class

I

Lighting fixture

CEI/EN	
Execution	Industrial weatherproof
Rules of compliance	EN 60598-1 + A1; EN 60598-2-1; EN 60598-2-3
EU Type-Examination Certificate	–
Protection degree	IP66
Ambient temperature	–

Electrical characteristics

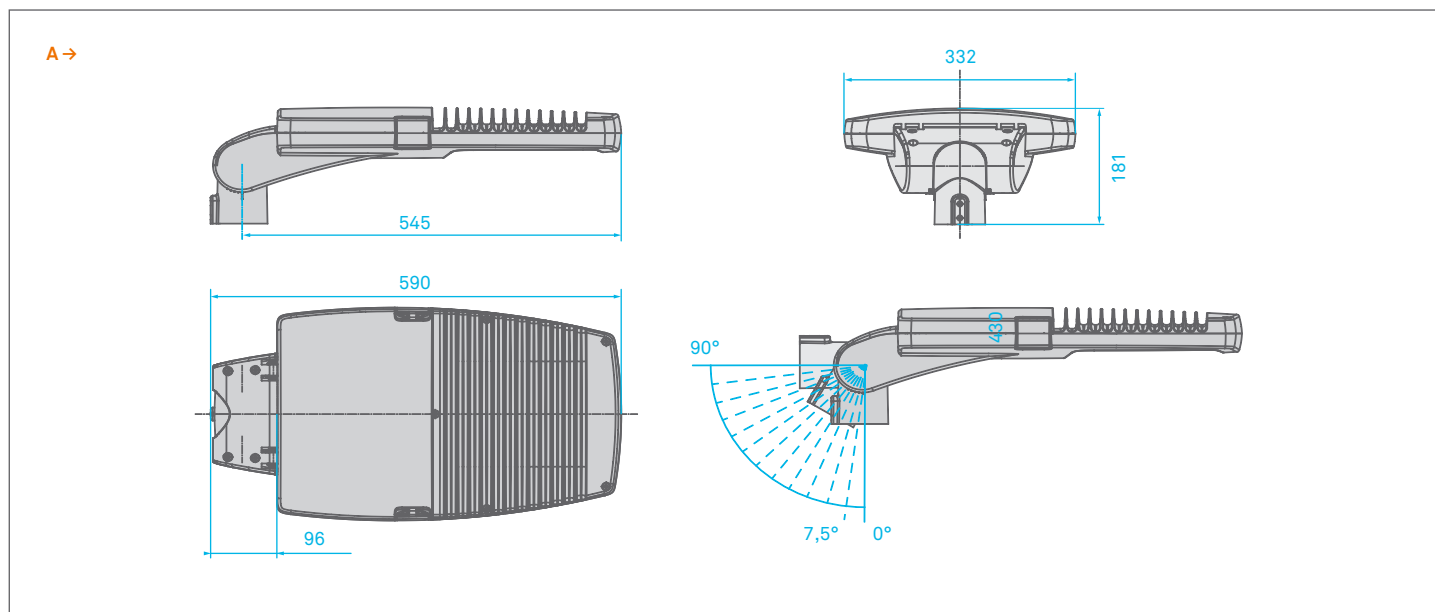
Power supply	Electronic ballast 220–240 V 50/60 Hz, surge protection 6/8kV, NTC thermal sensor
Lamp type	Samsung LH 181B – CRI>80 CCT 4000 K Lifetime: 80.000 hours L80 B10 @ta 25, 50.000 hours L80 B10 @tamax 30 deg vertex secondary lenses
Internal wiring	High-temperature resistant silicon rubber insulation cables



Technical data

Code	Led units & power	Nominal output	Net output	Weight [kg]	Detail
Led lighting fixtures – Power supply 230V 50Hz					
CLC_STREET-LED-32	16 led – 35 W	5200 lm	4475 lm	8.97	A
CLC_STREET-LED-64	32 led – 70 W	10400 lm	8950 lm	9.77	A
CLC_STREET-LED-96	48 led – 105 W	15600 lm	13420 lm	9.77	A
CLC_STREET-LED-128	64 led – 140 W	20800 lm	17900 lm	9.89	A

Reference details



Polar diagrams – photometric data

STREET LED

