

Pressure monitor module



The pressure monitor module forms part of pressurised enclosure control systems. Various versions are available for applications in Zones 1/21 and 2/22.

Function of pressure monitor module for Zones 1/21

- Pressure monitor module
- Measuring connections

Function of pressure monitor module for Zones 2/22

- Pressure monitor module
- Through-flow valve

Pressure monitor module for Zones 1/21

Technical data

Temperature range	-20 °C to +80 °C
Installation	In Ex px/py equipment
Mounting hole	Ø 37 mm
Connection	Quick connector for hose, 4 mm
Flying spark barrier	x 3
Installation position	Plastic body inside Ex p equipment
Opening pressure	3 mbar
IP rating	IP 65

Pressure monitor module for Zones 2/22

Technical data

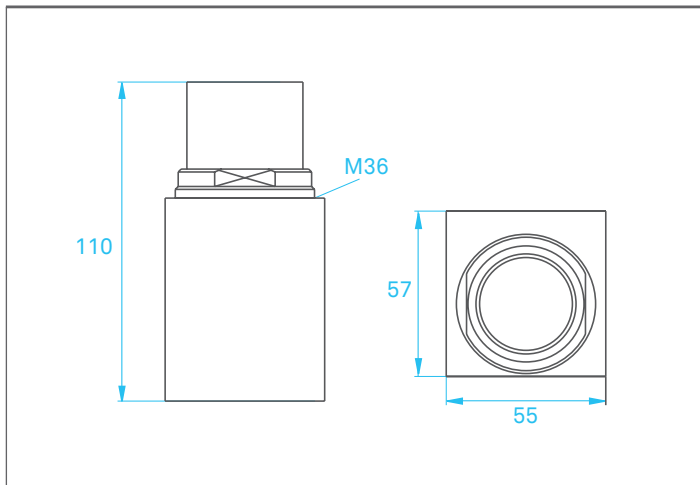
Temperature range	-20 °C to +80 °C
Installation	In Ex pz equipment
Mounting hole	Ø 37 mm
Flying spark barrier	x 2
Installation position	Plastic body inside Ex p equipment
Opening pressure	3 mbar
IP rating	IP 54

Ordering information

Version		Order number
Pressure monitor module zone 1/21	Orifice plate, 5 mm	17-51P3-1203
	Orifice plate, 8 mm	17-51P3-1303
	Orifice plate, 12 mm	17-51P3-1403
	Orifice plate, 15 mm	17-51P3-1503
	Orifice plate, 18 mm	17-51P3-1603
Pressure monitor module zone 2/22		17-51P3-1604

The accessories and order information can be found on the accessory pages.

Dimensions Zone 1/21 version



Dimensions Zone 2/22 version

