

# Pressure Reducer 1/4" with pressure gauge

## Type 05-0056-0083



- Port size: G1/4"
- Balanced valve design for optimum pressure control
- Push to lock knob with tamper resistant accessory

This upstream connection pressure reducer is a diaphragm pressure regulator with secondary venting for lowering the pressure of externally supplied compressed air. The settings are made by means of a handwheel. The set reduced pressure can be read on a pressure gauge.

### Explosion protection

Marking ATEX  II 2 GD

Other approvals and certificates, see [bartec.com](http://bartec.com)

### Ambient conditions

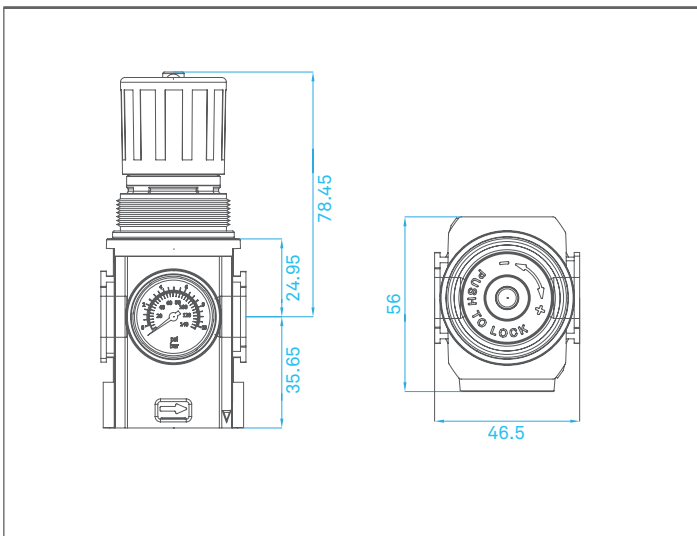
Ambient conditions -20 °C to +65 °C  
Air supply must be dry enough to avoid ice formation at temperatures below +2 °C

for Ex p operating equipment Zone 1/21 and 2/22

### Technical data

Controls	Knob for setting the air pressure; Push to lock secures the hand-wheel in place
Installation	The mounting position is optional, pay attention to the flow direction marking (arrow) on the enclosure; Mounting in cabinet borehole dia. 17 mm.
max. input pressure (p1)	20 bar
Pressure regulation range (p2)	0.3 to 10 bar, infinitely variable
Connections	Air connection G 1/4" Pressure gauge connection G 1/8"
Nominal flow rate (QN)	1900 l/min max.
Weight	with pressure gauge approx. 0.23 kg
Material	Body: Die cast zinc Bottom plug: Acetal Bonnet: Acetal Valve: PP und TPV Elastomers: NBR
Scope of supply	- Pressure reducer - Assembly material

### Dimensions in mm



### Assembly diagram

