

Ex p Relay – Power

Datasheet



The Ex p Relay - Power is designed for safe isolation of supply lines directly in hazardous areas. It can be used together with the BARTEC pressurized enclosure systems APEX or SILAS.

The Ex p Relay - Power has four galvanically isolated switch contacts which open the contacts when the voltage is removed. Safe opening of the contacts is ensured by two relays connected in series. By means of the switching capacity of 400V, 16 A and 4kW up to three phases supply lines can be disconnected.

Advantages

- Compact design
- Easy integration into control systems
- High switching capacity

Technical data

Explosion protection

| | |
|---------------|--|
| Marking ATEX | Ex II 2G Ex eb qb IIC T4 Gb Ex II 2D Ex tb IIIC T130°C Db |
| Certification | EPS 18 ATEX 1 159 X |
| Marking IECEX | Ex eb qb IIC T4 Gb Ex tb IIIC T130°C Db |
| Certification | IECEX EPS 18.0082X |

Mechanical data

| | |
|----------------------|--|
| IP Protection | IP 66 |
| Connection terminals | Tension spring 2,5 mm ² (fine stranded) 4,0 mm ² (rigid) |
| Dimensions (mm) | 220 x 120 x 90 |
| Weight | 2,5 kg |

Ambient conditions

| | |
|---------------------|------------------|
| Ambient temperature | -25 °C to +65 °C |
| Storage temperature | -25 °C to +65 °C |

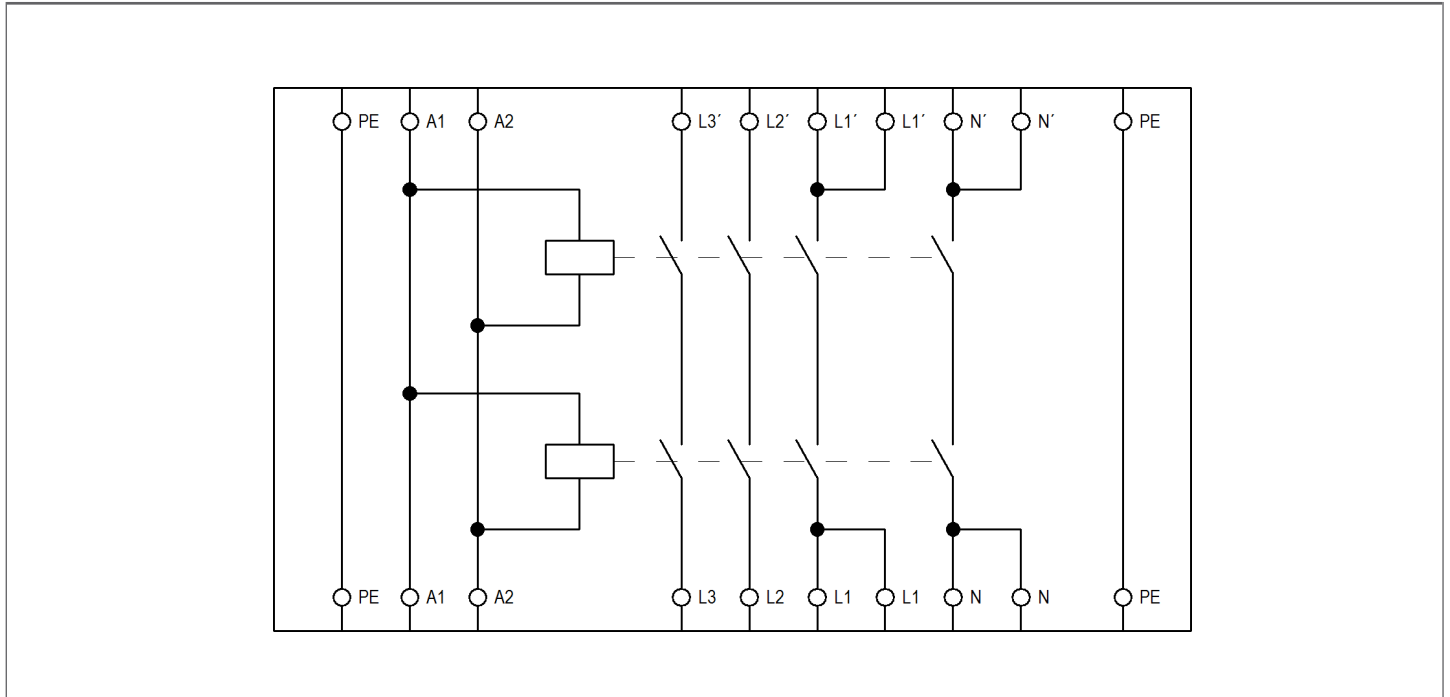
Electrical data

| | |
|-------------------|--------------------------|
| Power supply | 230 Vac, 110 Vac, 24 Vdc |
| Frequency AC | 50 Hz |
| Power dissipation | 3,5 W |

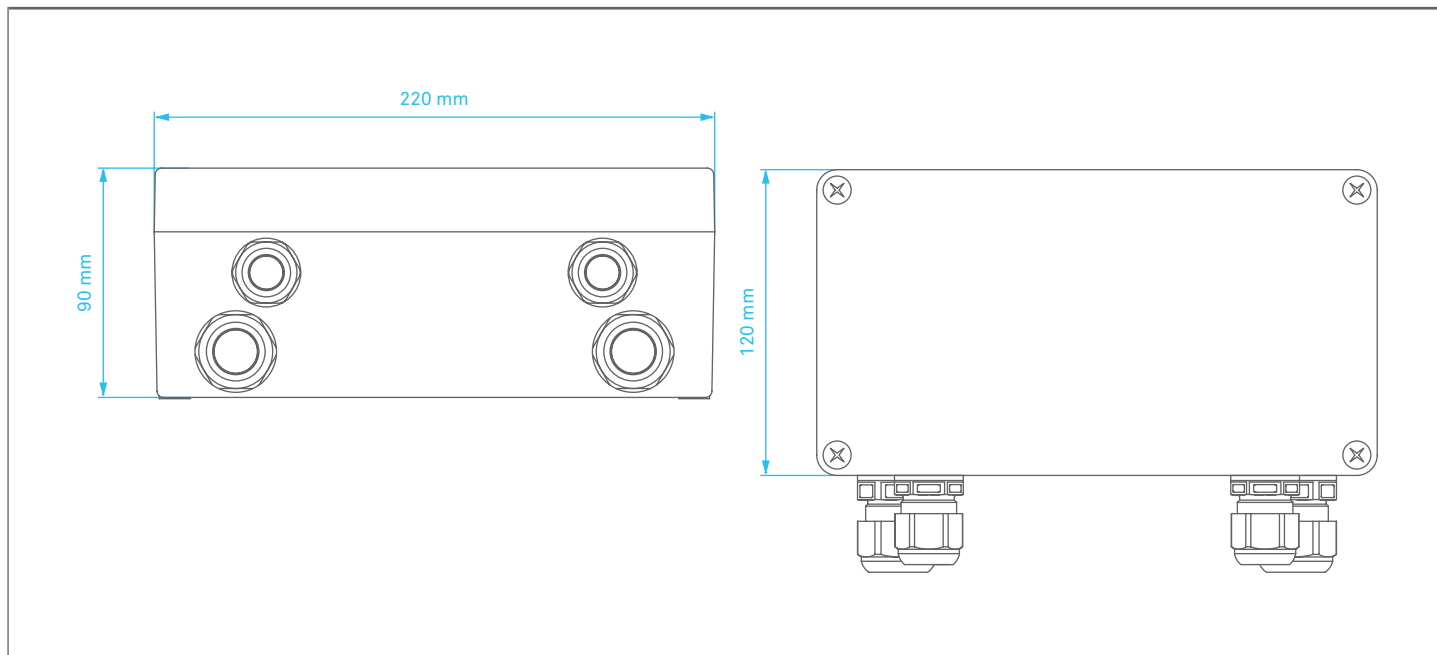
Switching capacity

| | |
|------------------------|--------------------------|
| Max. Switching voltage | 400 Vac, 28Vdc |
| Max. Switching current | 16 A |
| Max. Inrush current | 80 A (20 ms), 30 A (4 s) |
| Breaking capacity | 4000 VA |

Circuit diagram



Dimensions



Ordering information

0 7 - 5 1 P 6 - 1 A 1 1 / 9 0 0 1

A Variant
 1 - 230 Vac
 2 - 110 Vac
 3 - 24 Vdc

Other variants on request

Technical data subject to change without notice.